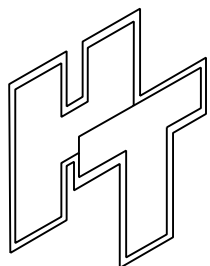
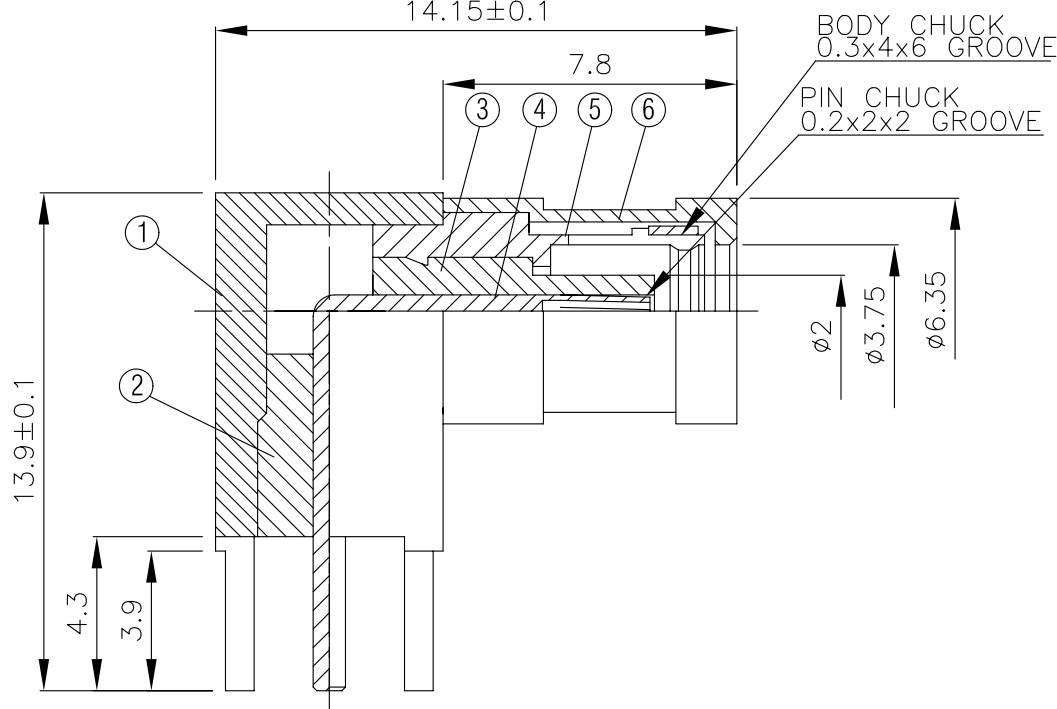
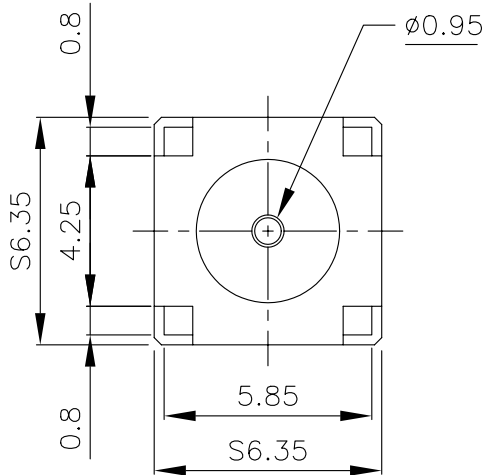
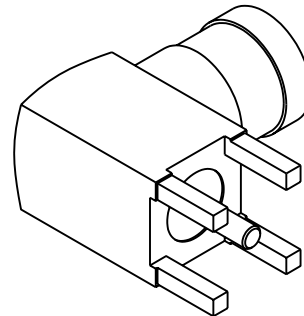
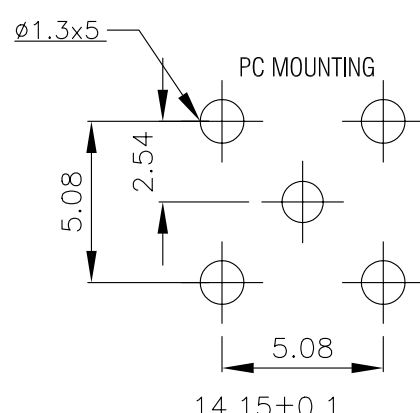


NO	DESCRIPTION	MATERIAL	Q'TY	FINISH	REMARK
1	BODY 1	BRASS	1	GOLD	B-SMA0086-G
2	INSULATION 1	TEFLON	1	TEFLON	I-0055T
3	INSULATION 2	TEFLON	1	TEFLON	I-0053T
4	PIN	BE CU	1	GOLD	P-SMB0147-G
5	BODY 2	BRASS	1	GOLD	B-SMB0479-G
6	BODY 3	BRASS	1	GOLD	B-SMB0245-G



HUS-TSAN GROUP CO., LTD.

P.O. BOX 40-76. TAINAN. TAIWAN, R.O.C.

TITLE SMB FEMALE ANGLE PC MOUNT

PART NO. SMB-06-TGG

DRAWING NO. SMB 06 TGG

DRAWN	MARY	DATE	96.03.21
CHECKED	蘇姿潔	DATE	
Q.A.	馮健華	DATE	
APPROVAL	徐燦霖	DATE	
REVISION		DATE	

DIMENSIONS ARE IN MILLIMETERS			
UNLESS OTHERWISE SPECIFIED TOLERANCE			
0.5-5=±0.2	120-315=±1		
5-30=±0.4	315-1000=±1.6		
30-120±0.6	1000-2000=±2.4		
SCALE	4:1	SIZE	A

REVISION	
DESCRIPTION	ENGINEER