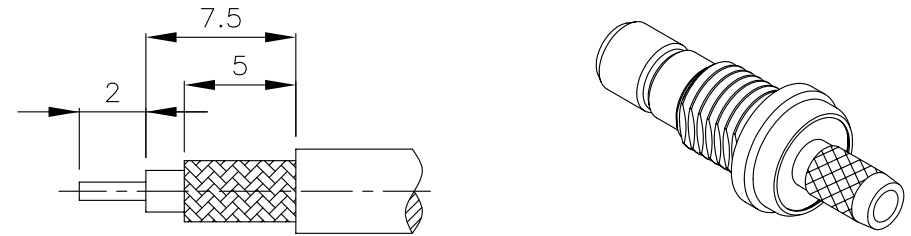
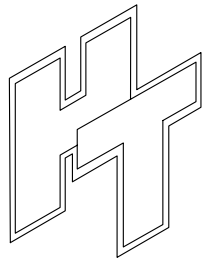
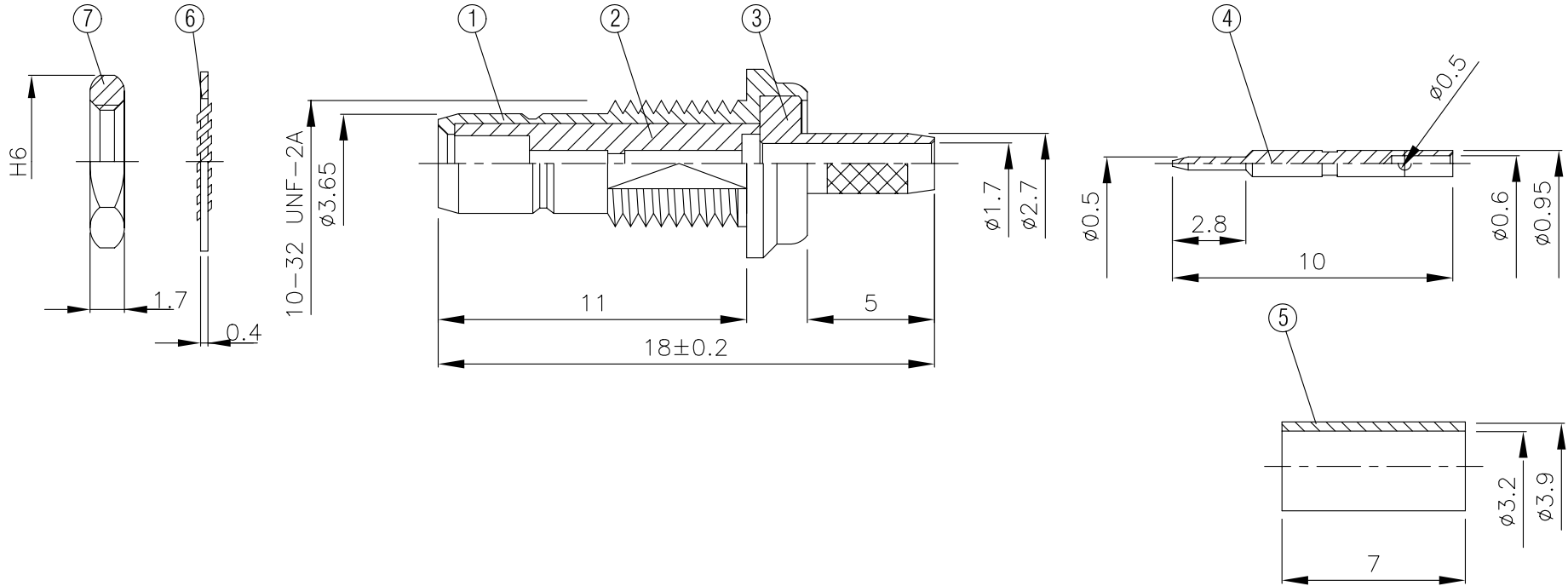


NO	DESCRIPTION	MATERIAL	Q'TY	FINISH	REMARK
1	BODY 1	BRASS	1	GOLD	B-SMB0523-G
2	INSULATION	TEFLON	1	TEFLON	I-0015T
3	BODY 2	BRASS	1	GOLD	B-SMB0172-G
4	PIN	PH.BRONZE	1	GOLD	P-SMC0097-G
5	RING	BRASS	1	GOLD	R-0001-G
6	WASHER	BRASS	1	GOLD	W-0009-G
7	NUT	BRASS	1	GOLD	N-0005-G



(Recommended Stripping Dimension)



HUS-TSAN GROUP CO., LTD.

P.O. BOX 40-76. TAINAN. TAIWAN, R.O.C.

TITLE SMB MALE CRIMP FOR
RG316U, 174U

PART NO. SMB-05LV1-TGG

DRAWING NO. SMB-05LV1-TGG

DRAWN MARY

CHECKED 黃巧君

Q.A. 蘇姿潔

APPROVAL 徐燦霖

REVISION

DATE 96.03.15

DATE

DATE

DATE

DATE

DIMENSIONS ARE IN MILLIMETERS

UNLESS OTHERWISE SPECIFIED
TOLERANCE

0.5-5=±0.2	120-315=±1
5-30=±0.4	315-1000=±1.6
30-120±0.6	1000-2000=±2.4

SCALE 4:1

SIZE A

REVISION

DESCRIPTION	ENGINEER