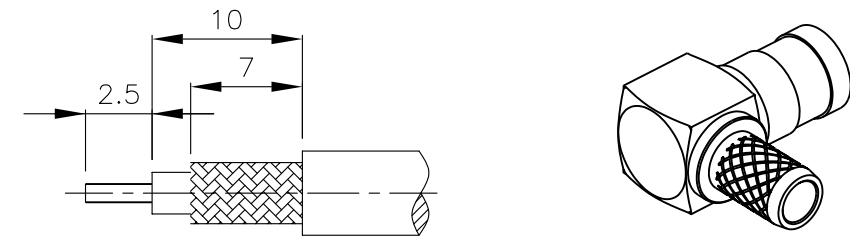
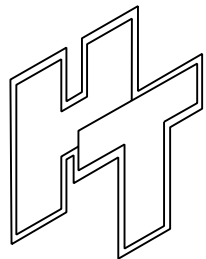
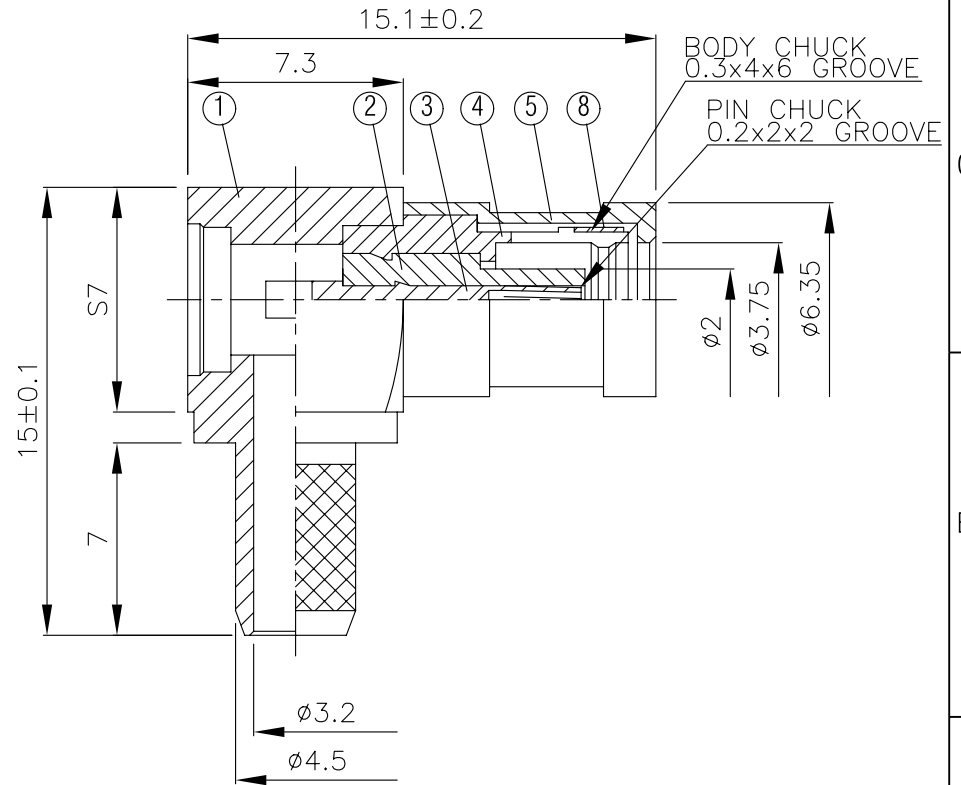
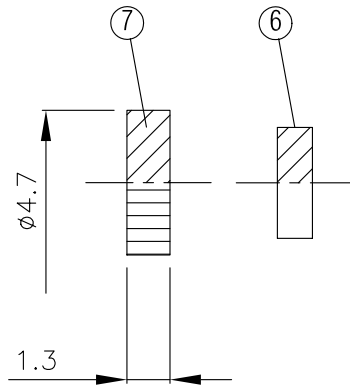
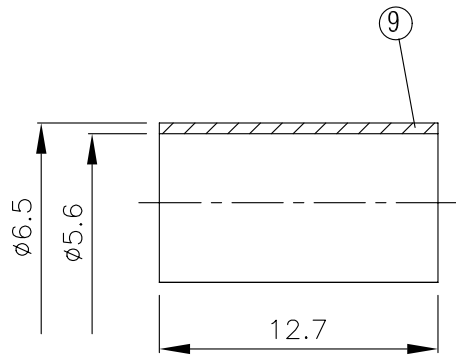


NO	DESCRIPTION	MATERIAL	Q'TY	FINISH	REMARK
1	BODY 1	BRASS	1	NICKEL	B-SMA0140-G
2	INSULATION 1	TEFLON	1	TEFLON	I-0053T
3	PIN	BE CU	1	GOLD	P-SMB0642-G
4	BODY 2	BRASS	1	NICKEL	B-SMB0479-G
5	BODY 3	BRASS	1	NICKEL	B-SMB0245-G
6	INSULATION 2	TEFLON	1	TEFLON	I-0136T
7	WASHER 1	BRASS	1	NICKEL	W-0023-G
8	WASHER 2	PH.BRONZE	1	NICKEL	W-0035-G
9	RING	BRASS	1	NICKEL	R-0007-G



(Recommended Stripping Dimension)



HUS-TSAN GROUP CO., LTD.

P.O. BOX 40-76. TAINAN. TAIWAN, R.O.C.

TITLE SMB FEMALE ANGLE CRIMP FOR RG58U

PART NO. SMB-03F-TGN

DRAWING NO. SMB 03F TGN

DRAWN	MARY	DATE	96.03.12
CHECKED	蘇姿潔	DATE	
Q.A.	馮健華	DATE	
APPROVAL	徐燦霖	DATE	
REVISION		DATE	

DIMENSIONS ARE IN MILLIMETERS			
UNLESS OTHERWISE SPECIFIED TOLERANCE			
0.5-5=	$\pm 0.2$	120-315=	$\pm 1$
5-30=	$\pm 0.4$	315-1000=	$\pm 1.6$
30-120=	$\pm 0.6$	1000-2000=	$\pm 2.4$
SCALE	4:1	SIZE	A

REVISION	
DESCRIPTION	ENGINEER