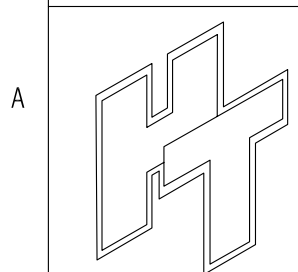
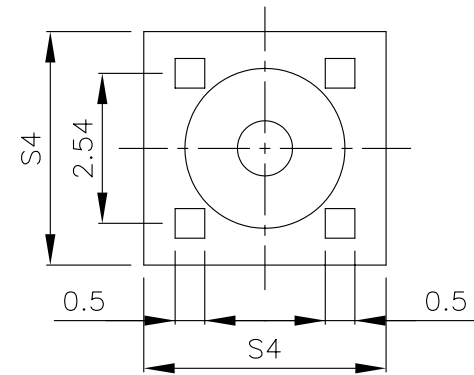
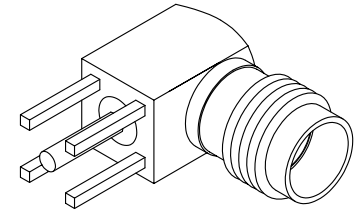
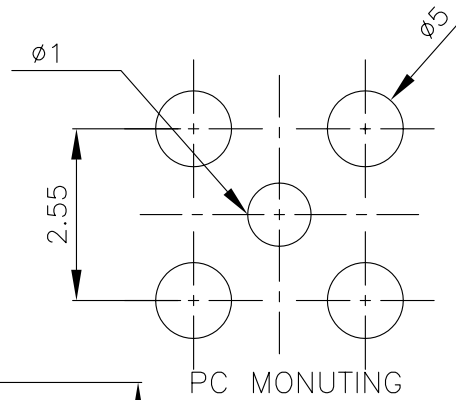
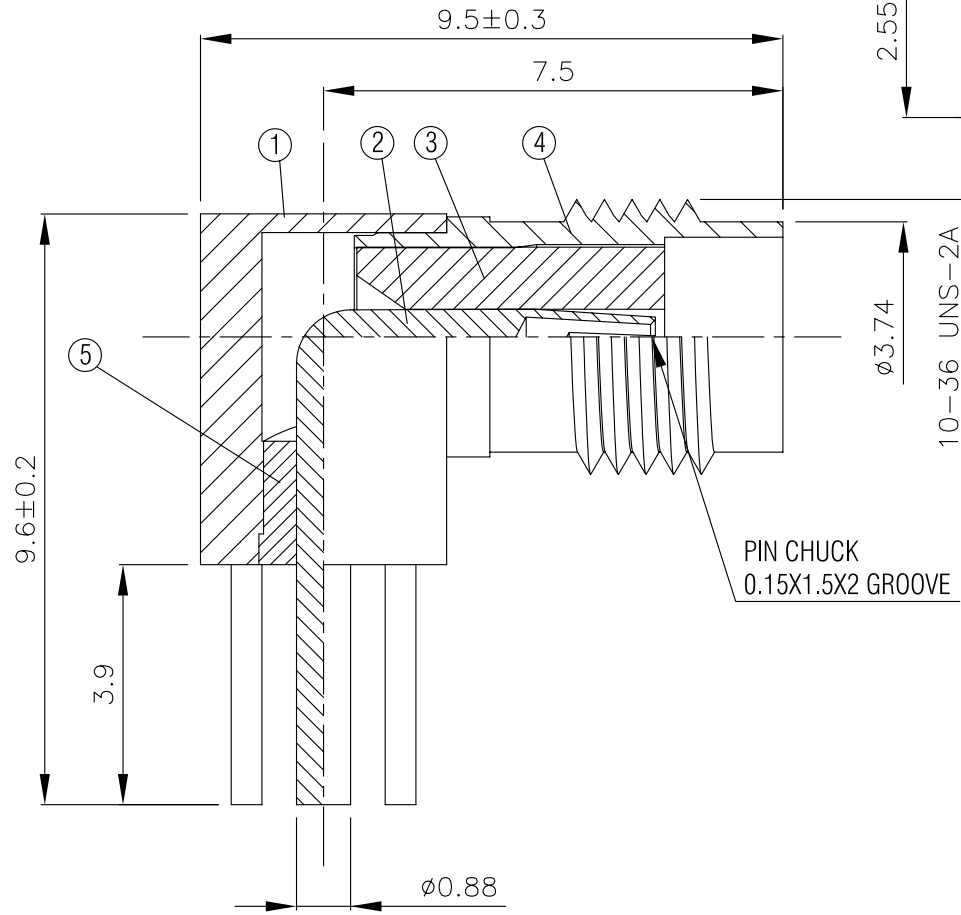


NO	DESCRIPTION	MATERIAL	Q'TY	FINISH	REMARK
1	BODY 1	BRASS	1	GOLD	B-SSMB0324-G
2	PIN	PH.BRONZE	1	GOLD	P-SSMA0749-G
3	INSULATION 1	TEFLON	1	TEFLON	I-0426T
4	BODY 2	BRASS	1	GOLD	B-SSMA1077-G
5	INSULATION 2	TEFLON	1	TEFLON	I-0519T



HUS-TSAN GROUP CO., LTD.
P.O.BOX 40-76.TAINAN.TAIWAN,R.O.C.

TITLE
SSMA FEMALE END LAUNCH

PART NO.
SSMA-16-TGG

DRAWING NO. SSMA-16-TGG

DRAWN MARY DATE 96.03.15

CHECKED 沈佳德 DATE 96.03.15

Q.A. 蘇姿潔 DATE

APPROVAL 徐燦霖 DATE

REVISION DATE

DIMENSIONS ARE IN MILLIMETERS

UNLESS OTHERWISE SPECIFIED TOLERANCE

0.5-5=±0.2 120-315=±1

5-30=±0.4 315-1000=±1.6

30-120±0.6 1000-2000=±2.4

SCALE 4:1 SIZE A

REVISION

DESCRIPTION	ENGINEER

A

A

4

3

2

1