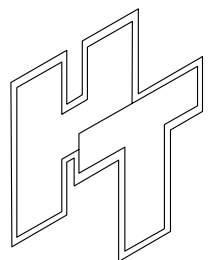
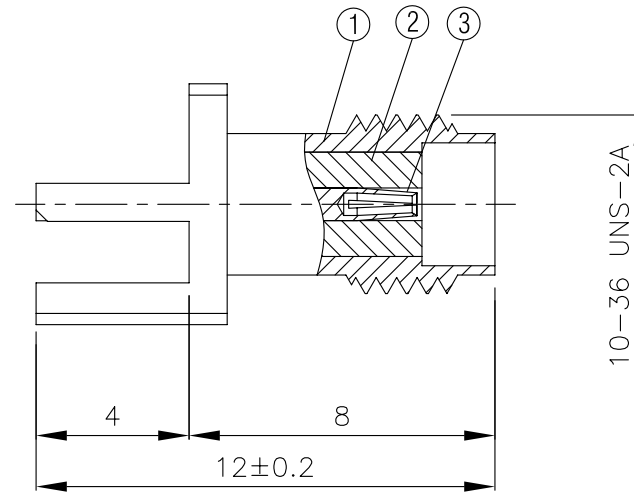
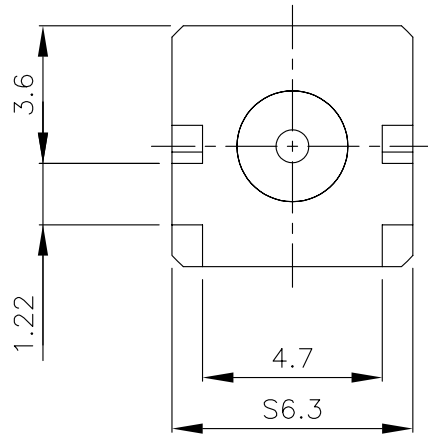
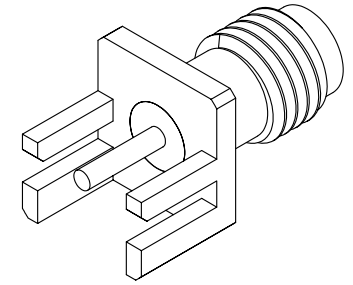


NO	DESCRIPTION	MATERIAL	Q'TY	FINISH	REMARK
1	BODY	BRASS	1	GOLD	B-SSMA0884-G
2	INSULATION	TEFLON	1	TEFLON	I-0427T
3	PIN	BE CU	1	GOLD	P-SSMA0622-G



HUS-TSAN GROUP CO., LTD.

P.O.BOX 40-76.TAINAN.TAIWAN,R.O.C.

TITLE SSMA FEMALE END LAUNCH BOARD THICKNESS (1.07)

PART NO. SSMA-12V5-TGG

DRAWING NO. SSMA 12V5 TGG

DRAWN MARY DATE 96.07.05

CHECKED 蘇志欣 DATE

Q.A. 蘇姿潔 DATE

APPROVAL 徐燦霖 DATE

REVISION DATE

DIMENSIONS ARE IN MILLIMETERS

UNLESS OTHERWISE SPECIFIED TOLERANCE
 X.XX= ±0.05
 X.X= ±0.1
 X= ±2
 ANGLE= ±2°

SCALE 4:1 SIZE A

REVISION

DESCRIPTION	ENGINEER