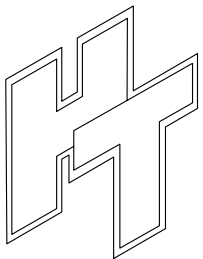
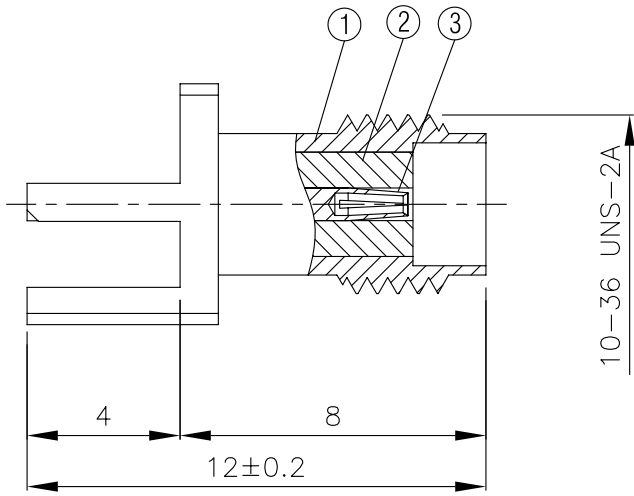
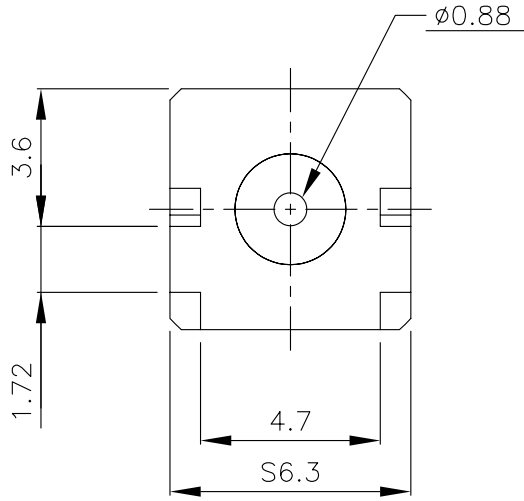
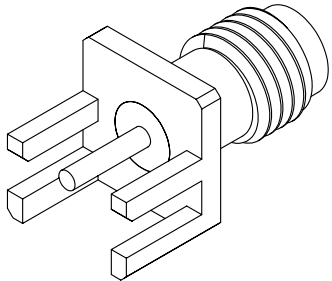


NO	DESCRIPTION	MATERIAL	Q'TY	FINISH	REMARK
1	BODY	BRASS	1	GOLD	B-SSMA0883-G
2	INSULATION	TEFLON	1	TEFLON	I-0427T
3	PIN	BE CU	1	GOLD	P-SSMA0622-G



HUS-TSAN GROUP CO., LTD.

P.O.BOX 40-76.TAINAN.TAIWAN,R.O.C.

TITLE SSMA FEMALE END LAUNCH BOARD THICKNESS (1.57)

PART NO. SSMA-12V4-TGG

DRAWING NO. SSMA 12V4 TGG

DRAWN MARY DATE 96.07.05

CHECKED 蘇志欣 DATE

Q.A. 蘇姿潔 DATE

APPROVAL 徐燦霖 DATE

REVISION DATE

DIMENSIONS ARE IN MILLIMETERS

UNLESS OTHERWISE SPECIFIED TOLERANCE

X.XX = ±0.05

X.X = ±0.1

X = ±2

ANGLE = ±2°

SCALE 4:1 SIZE A

REVISION

DESCRIPTION	ENGINEER

D

D

C

C

B

B

A

A

4

3

2

1