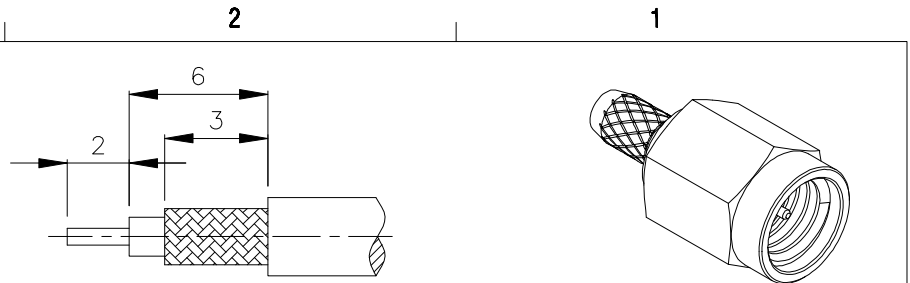
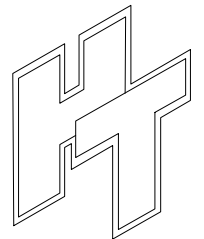
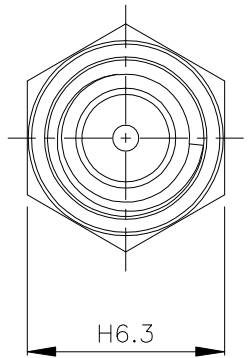
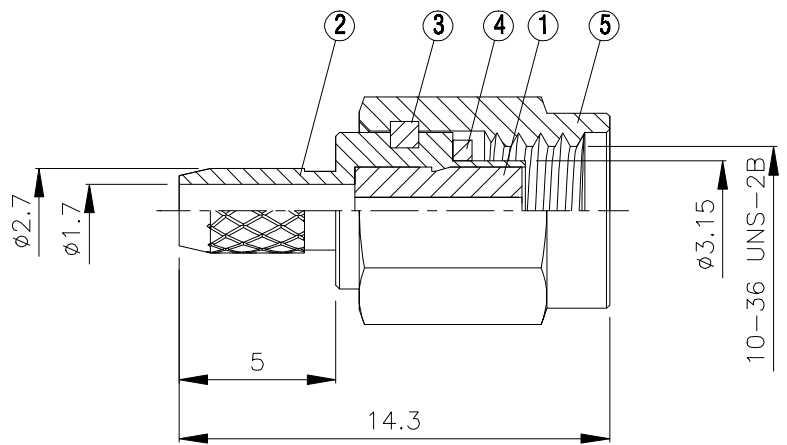
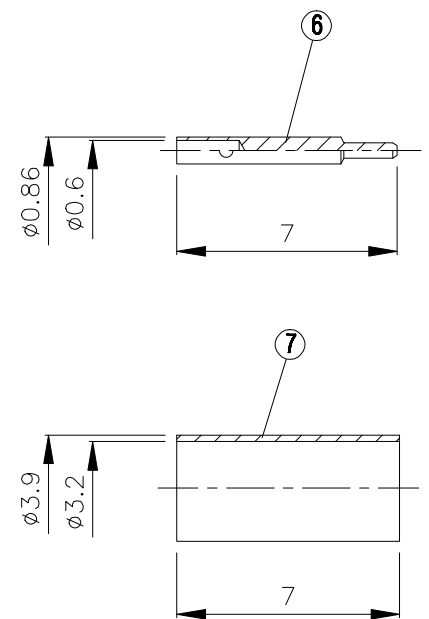
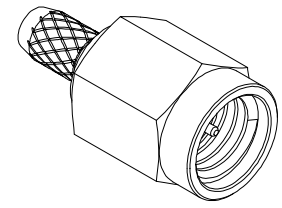


NO	DESCRIPTION	MATERIAL	Q'TY	FINISH	REMARK
1	INSULATION	TEFLON	1	TEFLON	I-0400T
2	BODY	BRASS	1	GOLD	B-SSMA0826-G
3	WASHER	PH.BRONZE	1	GOLD	W-0069
4	GASKET	SI RUBBER	1	RUBBER	RU-0036
5	SHELL	BRASS	1	GOLD	B-SSMA0825-G
6	PIN	BRASS	1	GOLD	P-SSMA0586-G
7	RING	BRASS	1	GOLD	R-0001-G



(Recommended Stripping Dimension)



**HUS-TSAN GROUP CO., LTD.**  
P.O.BOX 40-76.TAINAN.TAIWAN,R.O.C.  
**TITLE** SSMA MALE CRIMP FOR  
RG-174/U, RG-316/U  
**PART NO.** SSMA-01LV1-TGG  
**DRAWING NO.** SSMA 01LV1 TGG

**DRAWN** MARY  
**CHECKED** 蘇姿潔  
**Q.A.** 馮健華  
**APPROVA** 徐燦霖  
**REVISION**

**DATE** 93.11.19  
DATE  
DATE  
DATE

**DIMENSIONS ARE IN MILLIMETERS**  
**UNLESS OTHERWISE SPECIFIED TOLERANCE**  
XX.XX =  $\pm 0.05$   
XX.X =  $\pm 0.1$   
X =  $\pm 2$   
ANGLE =  $\pm 2^\circ$   
**SCALE** 4:1 **SIZE** A

REVISION	
DESCRIPTION	ENGINEER