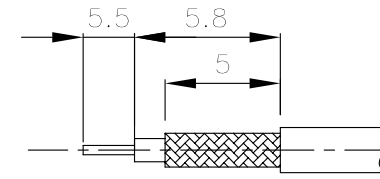
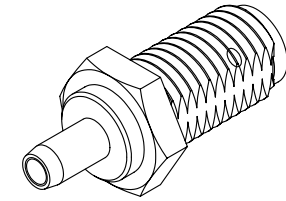


NO	DESCRIPTION	MATERIAL	Q'TY	FINISH	REMARK
1	NUT	BRASS	1	GOLD	N-0006
2	WASHER	BRASS	1	GOLD	W-0016
3	BODY	BRASS	1	GOLD	B-SMA0904-G
4	INSULATION 1	TEFLON	1	TEFLON	I-0563T
5	PIN	BE CU	1	GOLD	P-SMA0635-G
6	INSULATION 2	TEFLON	1	TEFLON	I-0256T
7	BODY	BRASS	1	GOLD	B-SMA0473-G



(Recommended Stripping Dimension)



D

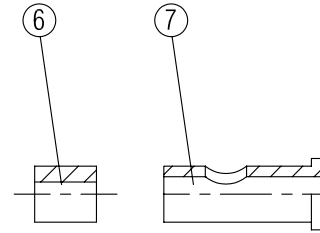
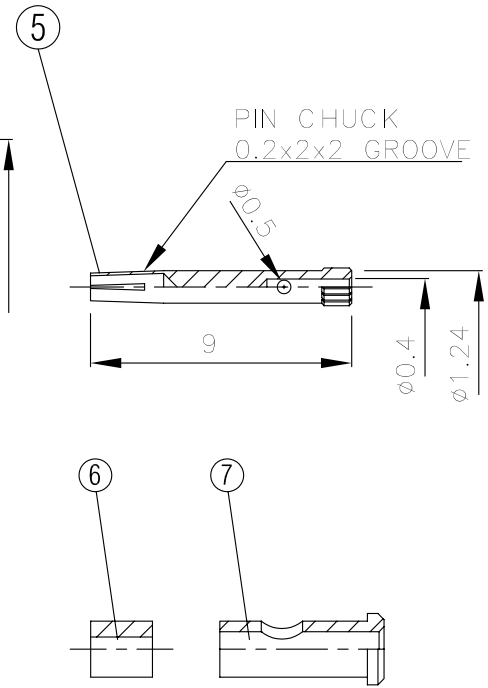
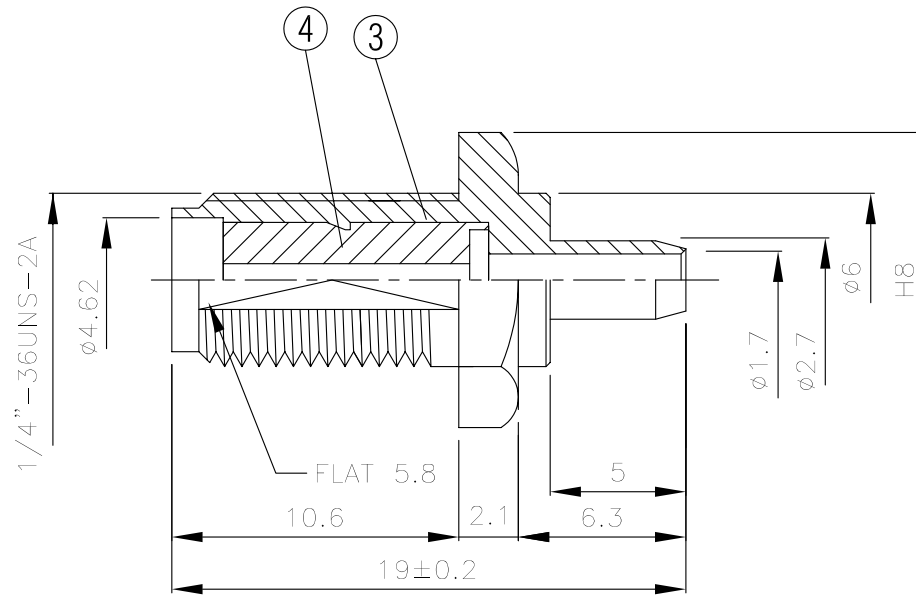
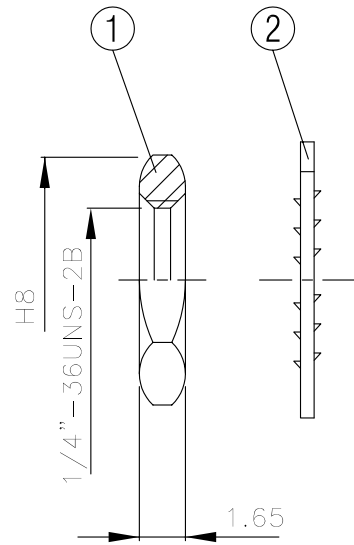
D

C

C

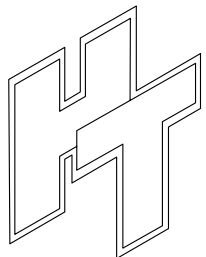
B

B



A

A



HUS-TSAN GROUP CO., LTD.

P.O. BOX 40-76. TAINAN. TAIWAN, R.O.C.

TITLE SMA FEMALE CRIMP FOR RG-178/U

PART NO. SMA-56M-TGG-1

DRAWING NO. SMA 56M TGG-1

DRAWN MARY DATE 97.02.20

CHECKED 蘇志欣 DATE

Q.A. 蘇姿潔 DATE

APPROVAL 徐燦霖 DATE

REVISION DATE

DIMENSIONS ARE IN MILLIMETERS

UNLESS OTHERWISE SPECIFIED TOLERANCE

0.5-5=±0.2 120-315=±1

5-30=±0.4 315-1000=±1.6

30-120=±0.6 1000-2000=±2.4

SCALE 4:1 SIZE A

REVISION

DESCRIPTION	ENGINEER

4

3

2

1