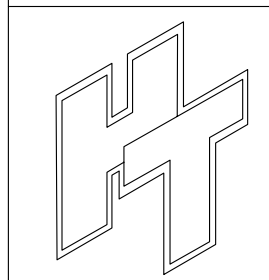
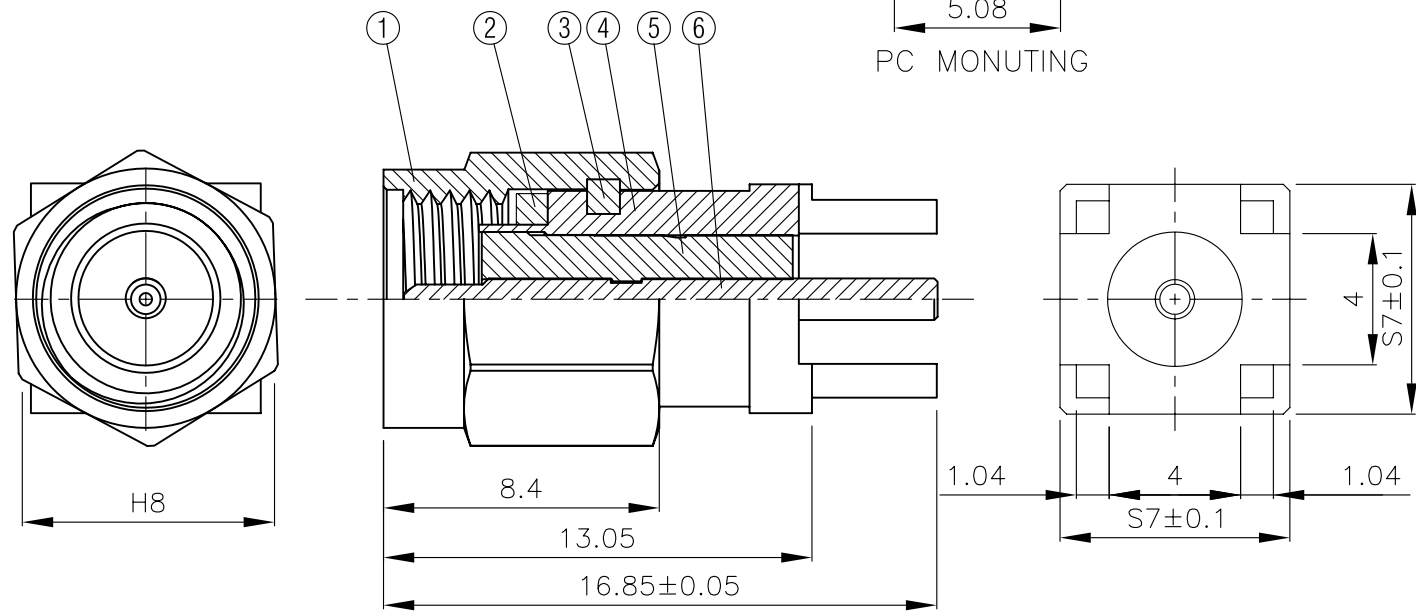
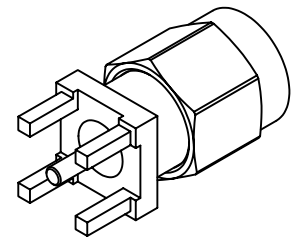
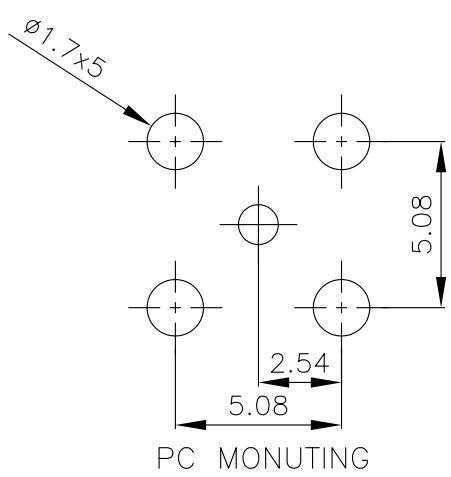


NO	DESCRIPTION	MATERIAL	Q'TY	FINISH	REMARK
1	SHELL	BRASS	1	NICKEL	B-SMA0043-N
2	GASKET	SI RUBBER	1	RUBBER	RU-0008
3	WASHER	PH.BRONZE	1	NICKEL	W-0012
4	BODY	BRASS	1	NICKEL	B-SMA1245-N
5	INSULATION	TEFLON	1	TEFLON	I-0132T
6	PIN	BRASS	1	GOLD	P-SMA0886-G



HUS-TSAN GROUP CO., LTD.
P.O.BOX 40-76.TAINAN.TAIWAN,R.O.C.
TITLE
SMA MALE PCB MOUNT
PART NO.
SMA-50-TGG
DRAWING NO.
SMA 50 TGG

DRAWN MARY **DATE** 96.12.03
CHECKED 蘇志欣 **DATE**
Q.A. 蘇姿潔 **DATE**
APPROVAL 徐燦霖 **DATE**
REVISION **DATE**

DIMENSIONS ARE IN MILLIMETERS
UNLESS OTHERWISE SPECIFIED TOLERANCE
0.5-5=±0.2 120-315=±1
5-30=±0.4 315-1000=±1.6
30-120±0.6 1000-2000=±2.4
SCALE 4:1 **SIZE** A

REVISION	
DESCRIPTION	ENGINEER