

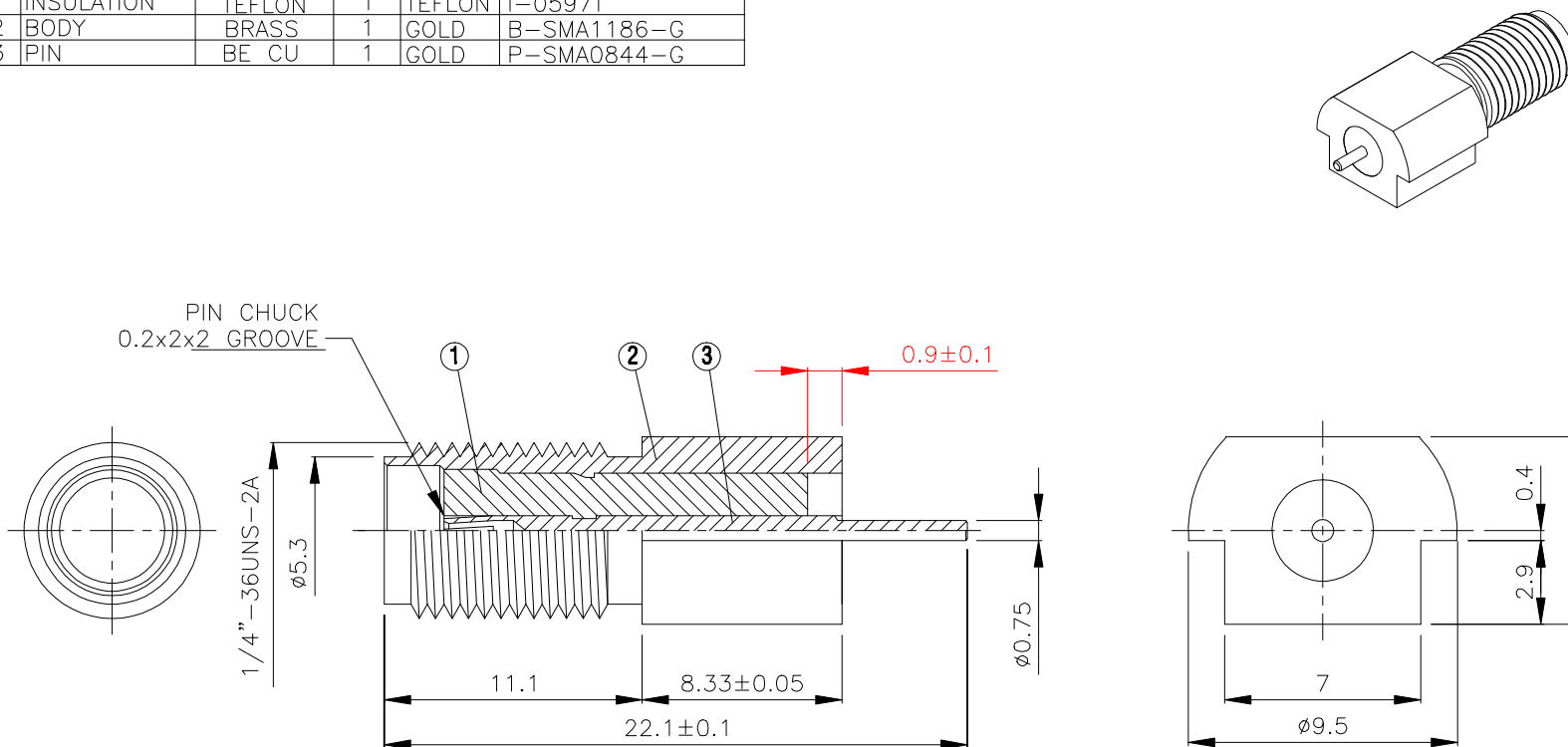
NO	DESCRIPTION	MATERIAL	Q'TY	FINISH	REMARK
1	INSULATION	TEFLON	1	TEFLON	I-0597T
2	BODY	BRASS	1	GOLD	B-SMA1186-G
3	PIN	BE CU	1	GOLD	P-SMA0844-G

D

C

B

A

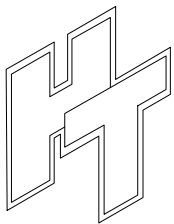


D

C

B

A



HUS-TSAN GROUP CO., LTD.

P.O. BOX 40-76. TAINAN. TAIWAN, R.O.C.

TITLE **SMA FEMALE END LAUNCH**

PART NO. **SMA-48V5-TGG**

DRAWING NO. **SMA 48V5 TGG**

DRAWN **MARY** DATE **96.05.17**

CHECKED **蘇姿潔** DATE

Q.A. **馮健華** DATE

APPROVAL **徐燦霖** DATE

REVISION DATE

DIMENSIONS ARE IN MILLIMETERS

UNLESS OTHERWISE SPECIFIED TOLERANCE

0.5-5=±0.2	120-315=±1
5-30=±0.4	315-1000=±1.6
30-120=±0.6	1000-2000=±2.4

SCALE **4:1** SIZE **A**

REVISION

DESCRIPTION	ENGINEER
A	蘇姿潔

4

3

2

1