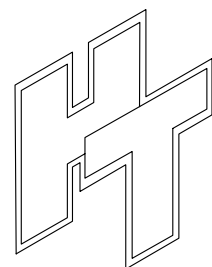
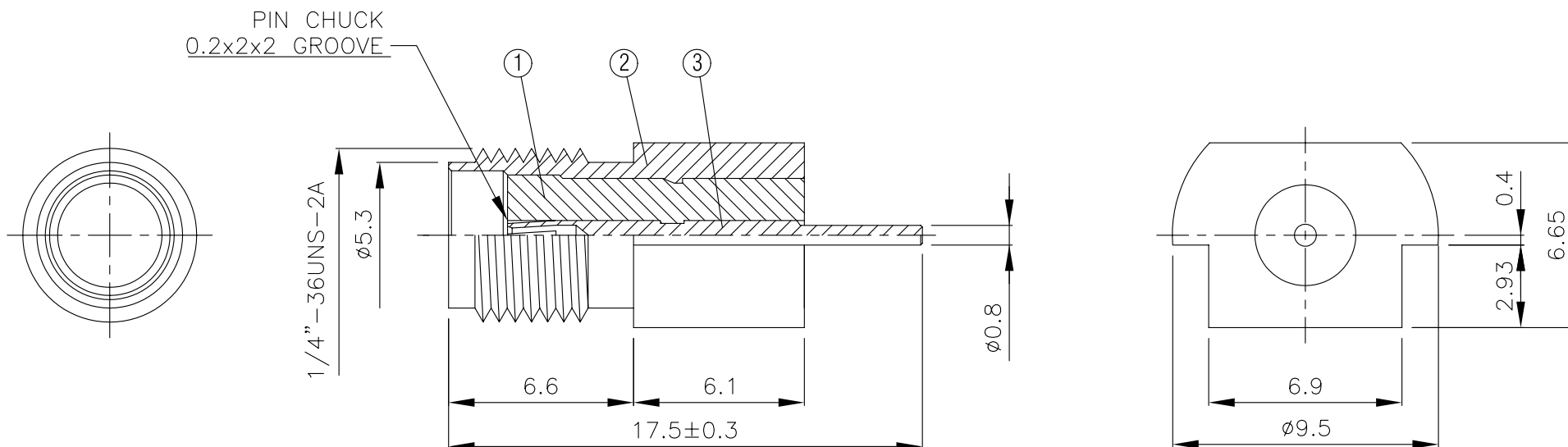
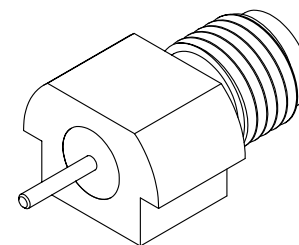


NO	DESCRIPTION	MATERIAL	Q'TY	FINISH	REMARK
1	INSULATION	TEFLON	1	TEFLON	I-0016T
2	BODY	BRASS	1	GOLD	B-SMA0156-G
3	PIN	BE CU	1	GOLD	P-SMA0098-G



HUS-TSAN GROUP CO., LTD.

P.O. BOX 40-76. TAINAN. TAIWAN, R.O.C.

TITLE SMA FEMALE END LAUNCH

PART NO. SMA-48-TGG

DRAWING NO. SMA 48 TGG

DRAWN MARY DATE 96.03.15

CHECKED 蘇姿潔 DATE

Q.A. 馮健華 DATE

APPROVAL 徐燦霖 DATE

REVISION DATE

DIMENSIONS ARE IN MILLIMETERS

UNLESS OTHERWISE SPECIFIED TOLERANCE

0.5-5=±0.2 120-315=±1
5-30=±0.4 315-1000=±1.6
30-120±0.6 1000-2000=±2.4

SCALE 4:1 SIZE A

REVISION

DESCRIPTION ENGINEER