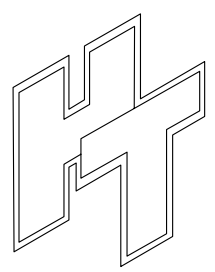
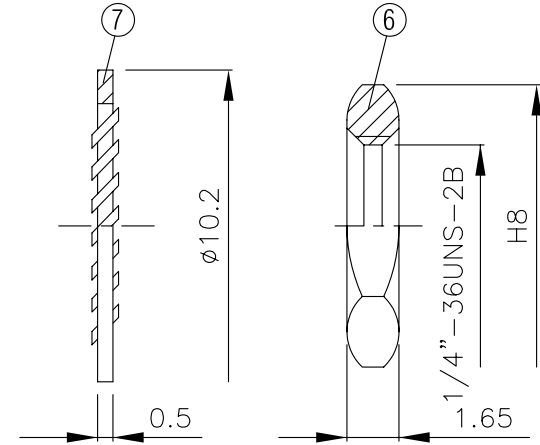
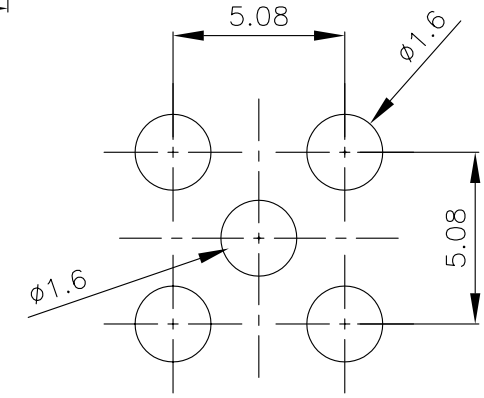
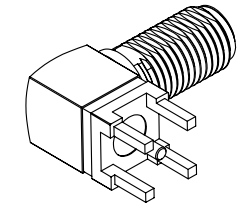
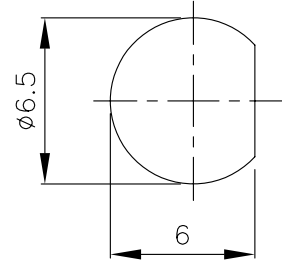
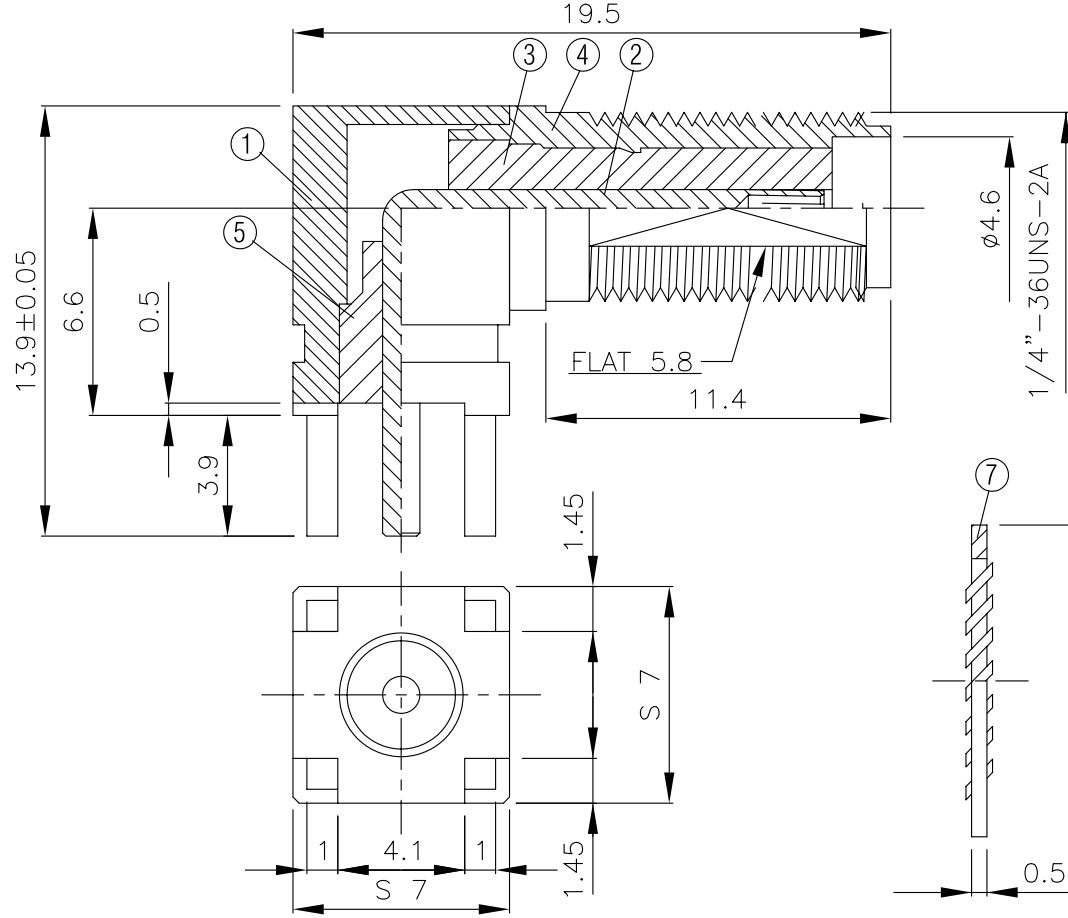


NO	DESCRIPTION	MATERIAL	Q'TY	FINISH	REMARK
1	BODY 1	BRASS	1	NICKEL	B-SMA0066-N
2	PIN	BE CU	1	GOLD	P-SMA0167-G
3	INSULATION 1	TEFLON	1	TEFLON	I-0198T
4	BODY 2	BRASS	1	NICKEL	B-SMA0145-N
5	INSULATION 2	TEFLON	1	TEFLON	I-0127T
6	NUT	BRASS	1	NICKEL	N-0006-N
7	WASHER	BRASS	1	NICKEL	W-0016



HUS-TSAN GROUP CO., LTD.
P.O.BOX 40-76.TAINAN.TAIWAN,R.O.C.
TITLE
SMA FEMALE PCB MOUNT
PART NO.
SMA-11V5-TGN
DRAWING NO. SMA 11V5 -TGN

DRAWN	MARY	DATE	96.03.15
CHECKED	蘇姿潔	DATE	
Q.A.	馮健華	DATE	
APPROVAL	徐燦霖	DATE	
REVISION		DATE	

DIMENSIONS ARE IN MILLIMETERS			
UNLESS OTHERWISE SPECIFIED TOLERANCE			
0.5-5=±0.2	120-315=±1		
5-30=±0.4	315-1000=±1.6		
30-120±0.6	1000-2000=±2.4		
SCALE	4:1	SIZE	A

REVISION	
DESCRIPTION	ENGINEER