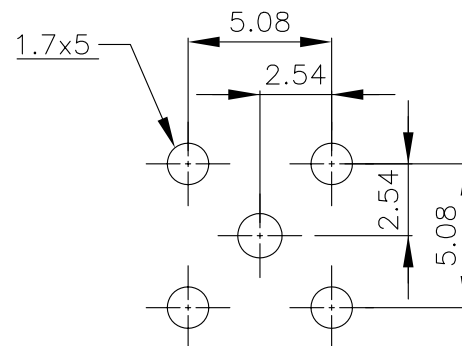
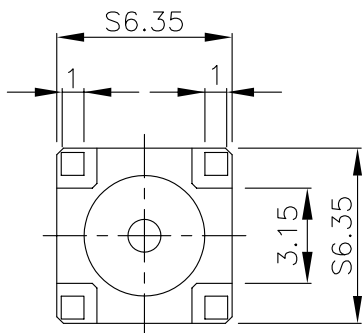
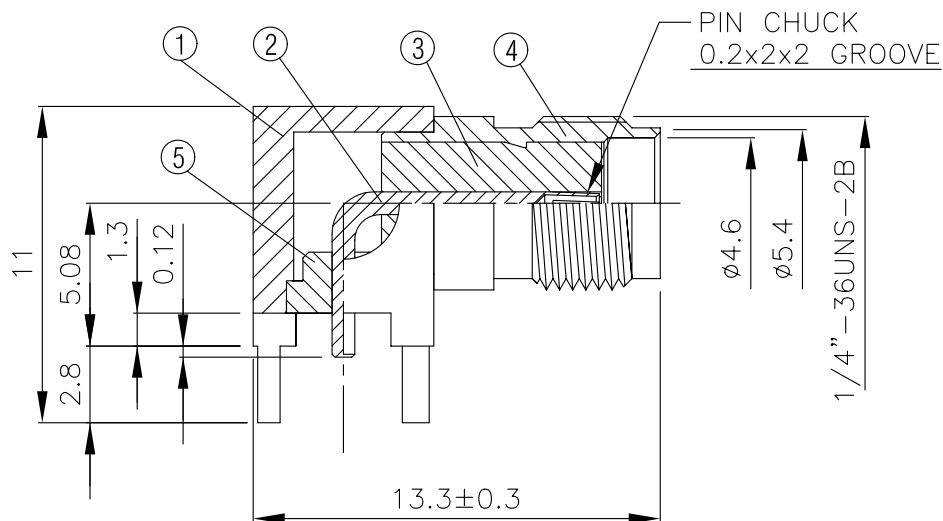
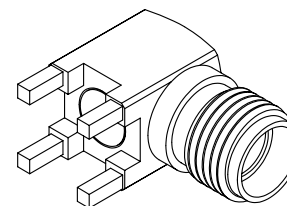


NO	DESCRIPTION	MATERIAL	Q'TY	FINISH	REMARK
1	BODY	BRASS	1	NICKEL	B-SMA0572-G
2	PIN	BE CU	1	GOLD	P-SMA0372-G
3	INSULATION	TEFLON	1	TEFLON	I-0207T
4	BODY	BRASS	1	NICKEL	B-SMA0573-G
5	INSULATION	TEFLON	1	TEFLON	I-0094T



PC MOUNTING

	HUS-TSAN GROUP CO., LTD. P.O. BOX 40-76.TAINAN.TAIWAN,R.O.C.	DRAWN MARY CHECKED 黃巧君 Q.A. 蘇姿潔 APPROVAL 徐燦霖 REVISION	DATE 96.03.15 DATE DATE DATE	DIMENSIONS ARE IN MILLIMETERS UNLESS OTHERWISE SPECIFIED TOLERANCE 0.5-5=±0.2 120-315=±1 5-30= ±0.4 315-1000=±1.6 30-120±0.6 1000-2000=±2.4	REVISION	
	TITLE SMA FEMALE RIGHT ANGLE PCB MOUNT	PART NO. SMA-11V10-TGN	DRAWING NO. SMA 11V10 TGN	SCALE 4:1 SIZE A	DESCRIPTION	ENGINEER