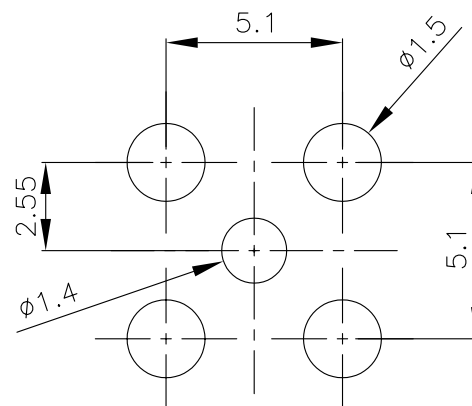
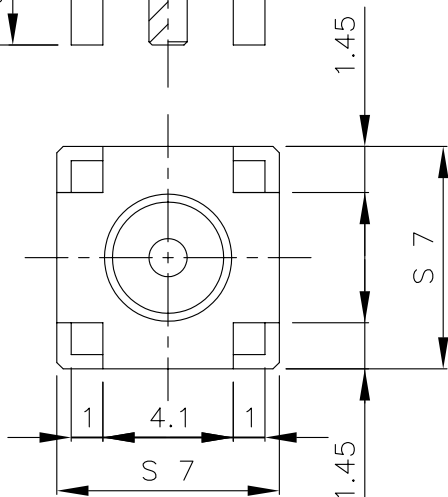
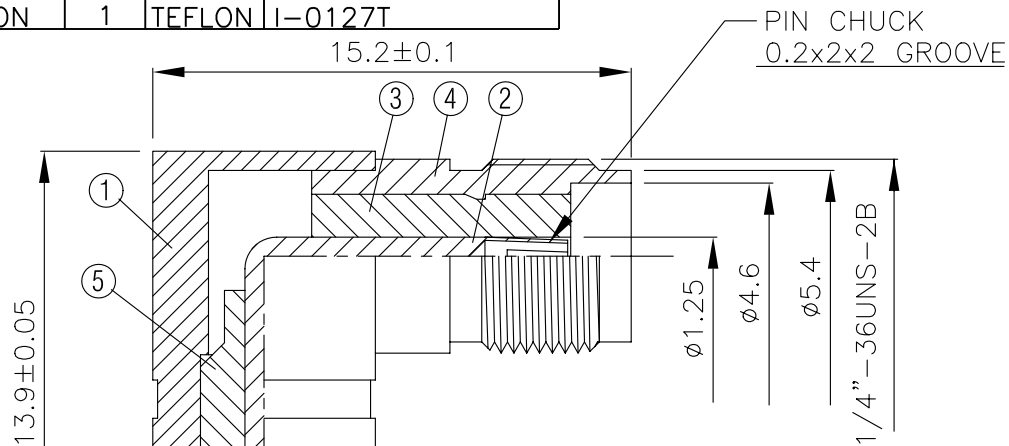
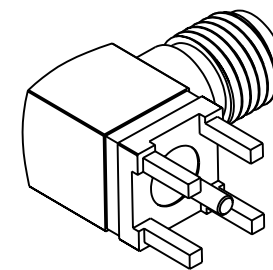
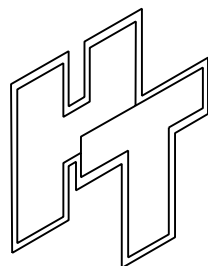


NO	DESCRIPTION	MATERIAL	Q'TY	FINISH	REMARK
1	BODY	BRASS	1	NICKEL	B-SMA0066-N
2	PIN	BRASS	1	GOLD	P-SMA0066-G
3	INSULATION	TEFLON	1	TEFLON	I-0126T
4	BODY	BRASS	1	NICKEL	B-SMA0065-N
5	INSULATION	TEFLON	1	TEFLON	I-0127T



PC MOUNTING



HUS-TSAN GROUP CO., LTD.

P.O. BOX 40-76. TAINAN. TAIWAN, R.O.C.

TITLE SMA FEMALE PCB MOUNT

PART NO. SMA-11-TGN

DRAWING NO. SMA 11 TGN

DRAWN	MARY	DATE	96.03.15
CHECKED	黃巧君	DATE	
Q.A.	蘇姿潔	DATE	
APPROVAL	徐燦霖	DATE	
REVISION		DATE	

DIMENSIONS ARE IN MILLIMETERS

UNLESS OTHERWISE SPECIFIED TOLERANCE

0.5-5=±0.2	120-315=±1
5-30=±0.4	315-1000=±1.6
30-120±0.6	1000-2000=±2.4

SCALE 4:1 SIZE A

REVISION

DESCRIPTION	ENGINEER