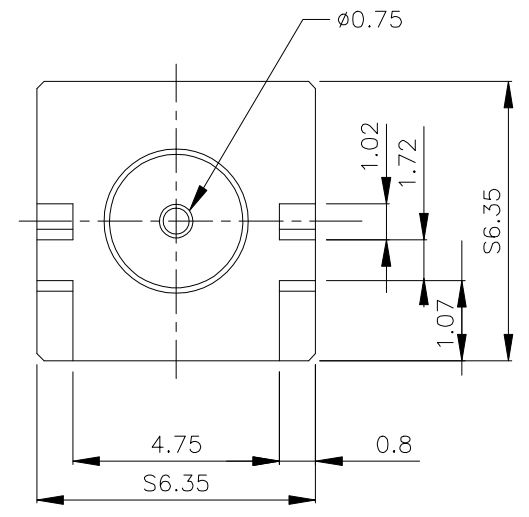
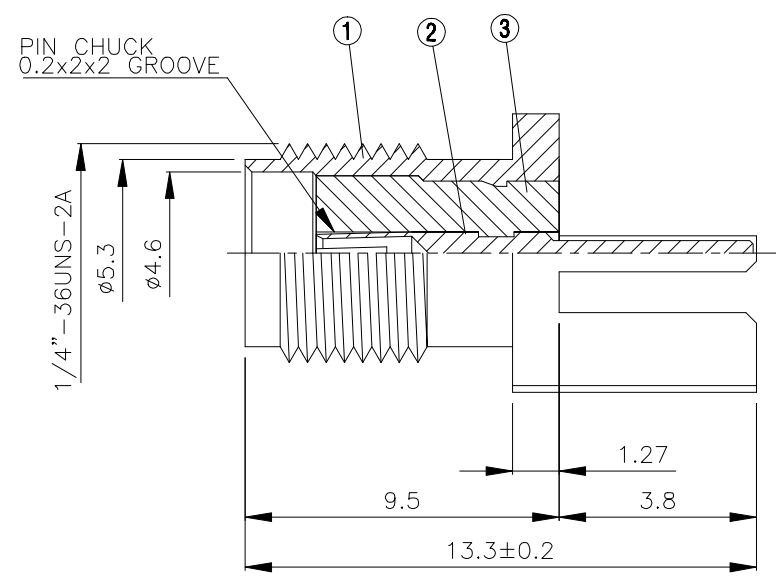
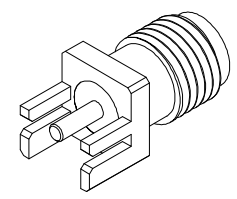


NO	DESCRIPTION	MATERIAL	Q'TY	FINISH	REMARK
1	BODY	BRASS	1	GOLD	B-SMA0161-G
2	PIN	BE CU	1	GOLD	P-SMA0105-G
3	INSULATION	TEFLON	1	TEFLON	I-0106T



	HUS-TSAN GROUP CO., LTD. P.O. BOX 40-76.TAINAN.TAIWAN,R.O.C.		DRAWN MARY DATE 96.03.27	DIMENSIONS ARE IN MILLIMETERS		REVISION	
	TITLE SMA FEMALE END LAUNCH BOARD THICKNESS (1.57)		CHECKED	UNLESS OTHERWISE SPECIFIED TOLERANCE		DESCRIPTION	ENGINEER
	PART NO. SMA-10V4-TGN		Q.A.	0.5-5=±0.2 120-315=±1 5-30=±0.4 315-1000=±1.6 30-120±0.6 1000-2000=±2.4			
	DRAWING NO. SMA 10V4 TGN		APPROVAL	SCALE 4:1 SIZE A			
			REVISION				