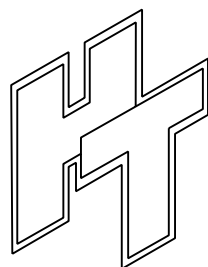
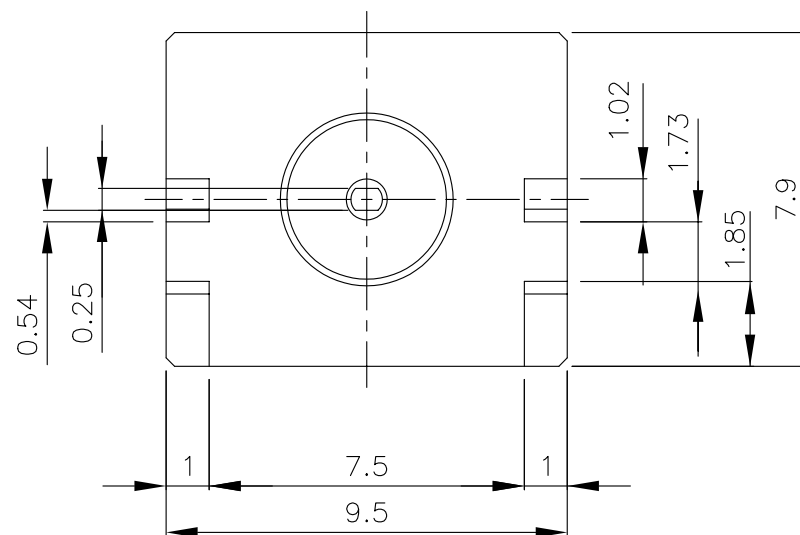
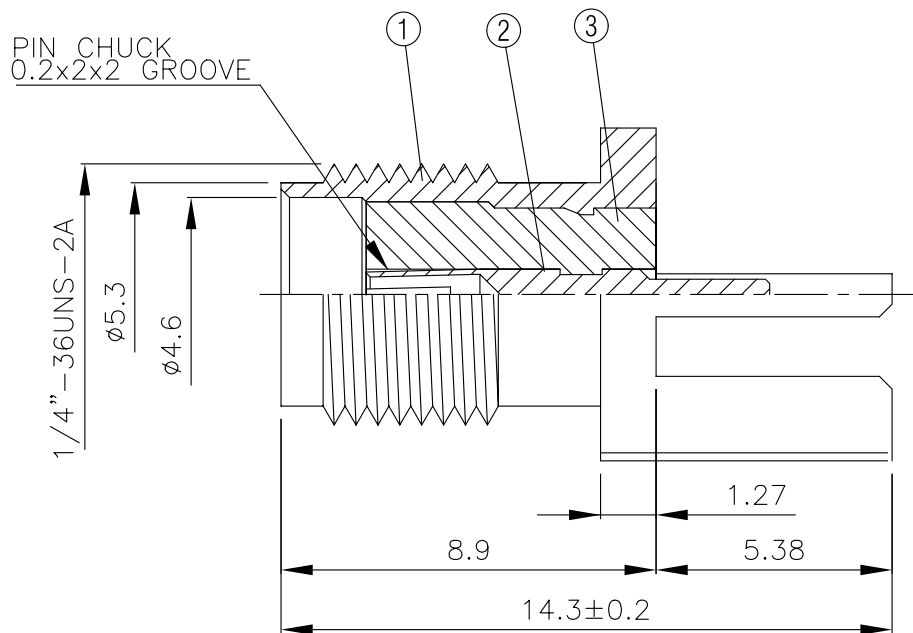
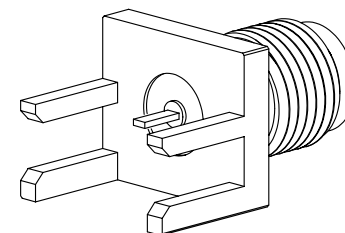


NO	DESCRIPTION	MATERIAL	Q'TY	FINISH	REMARK
1	BODY	BRASS	1	GOLD	B-SMA0163-G
2	PIN	BE CU	1	GOLD	P-SMA0339-G
3	INSULATION	TEFLON	1	TEFLON	I-0019T



HUS-TSAN GROUP CO., LTD.

P.O. BOX 40-76. TAINAN. TAIWAN, R.O.C.

TITLE SMA FEMALE END LAUNCH RECEPTACLE
-TAB CONTACT (BOARD THICKNESS 1.57)

PART NO. SMA-10V26-TGG

DRAWING NO. SMA 10V26 TGG

DRAWN MARY DATE 96.03.28

CHECKED 黃巧君 DATE 96.03.28

Q.A. 蘇姿潔 DATE

APPROVAL 徐燦霖 DATE

REVISION DATE

DIMENSIONS ARE IN MILLIMETERS

UNLESS OTHERWISE SPECIFIED
TOLERANCE

0.5-5=±0.2	120-315=±1
5-30=±0.4	315-1000=±1.6
30-120±0.6	1000-2000=±2.4

SCALE 4:1 SIZE A

REVISION

DESCRIPTION	ENGINEER