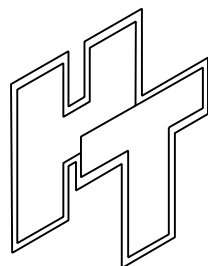
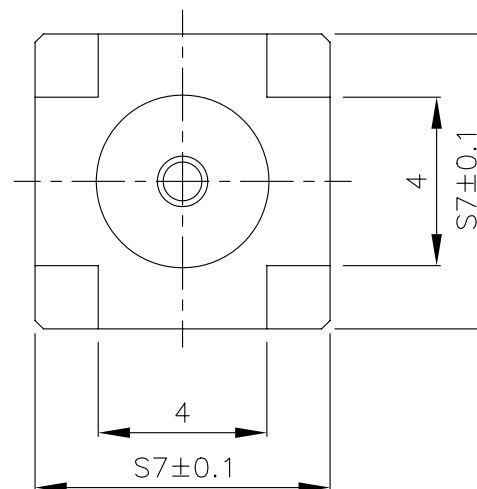
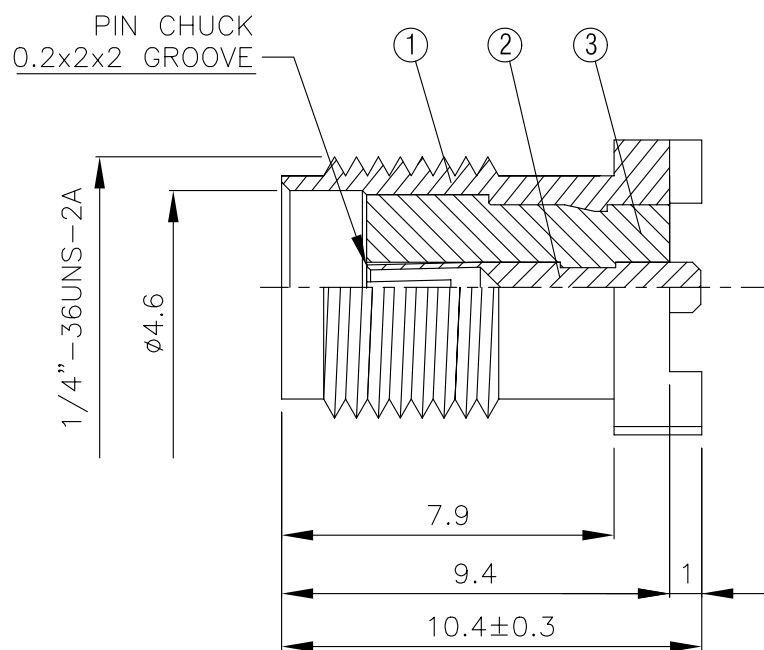
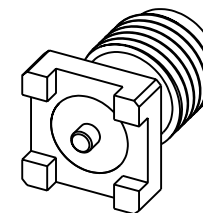
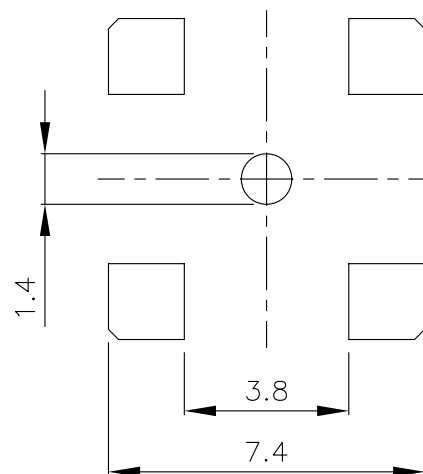


NO	DESCRIPTION	MATERIAL	Q'TY	FINISH	REMARK
1	BODY	BRASS	1	GOLD	B-SMA0329-G
2	PIN	BE CU	1	GOLD	P-SMA0204-G
3	INSULATION	TEFLON	1	TEFLON	I-0106T



HUS-TSAN GROUP CO., LTD.

P.O. BOX 40-76. TAINAN. TAIWAN, R.O.C.

TITLE SMA FEMALE PCB MOUNT

PART NO. SMA-10V21-TGG

DRAWING NO. SMA 10V21 TGG

DRAWN MARY

CHECKED 沈佳憶

Q.A. 蘇姿潔

APPROVAL 徐燦霖

REVISION

DATE 96.03.21

DATE

DATE

DATE

DATE

DIMENSIONS ARE IN MILLIMETERS

UNLESS OTHERWISE SPECIFIED TOLERANCE

0.5-5 = ± 0.2 120-315 = ± 1

5-30 = ± 0.4 315-1000 = ± 1.6

30-120 ± 0.6 1000-2000 = ± 2.4

SCALE 4:1 SIZE A

REVISION

DESCRIPTION ENGINEER