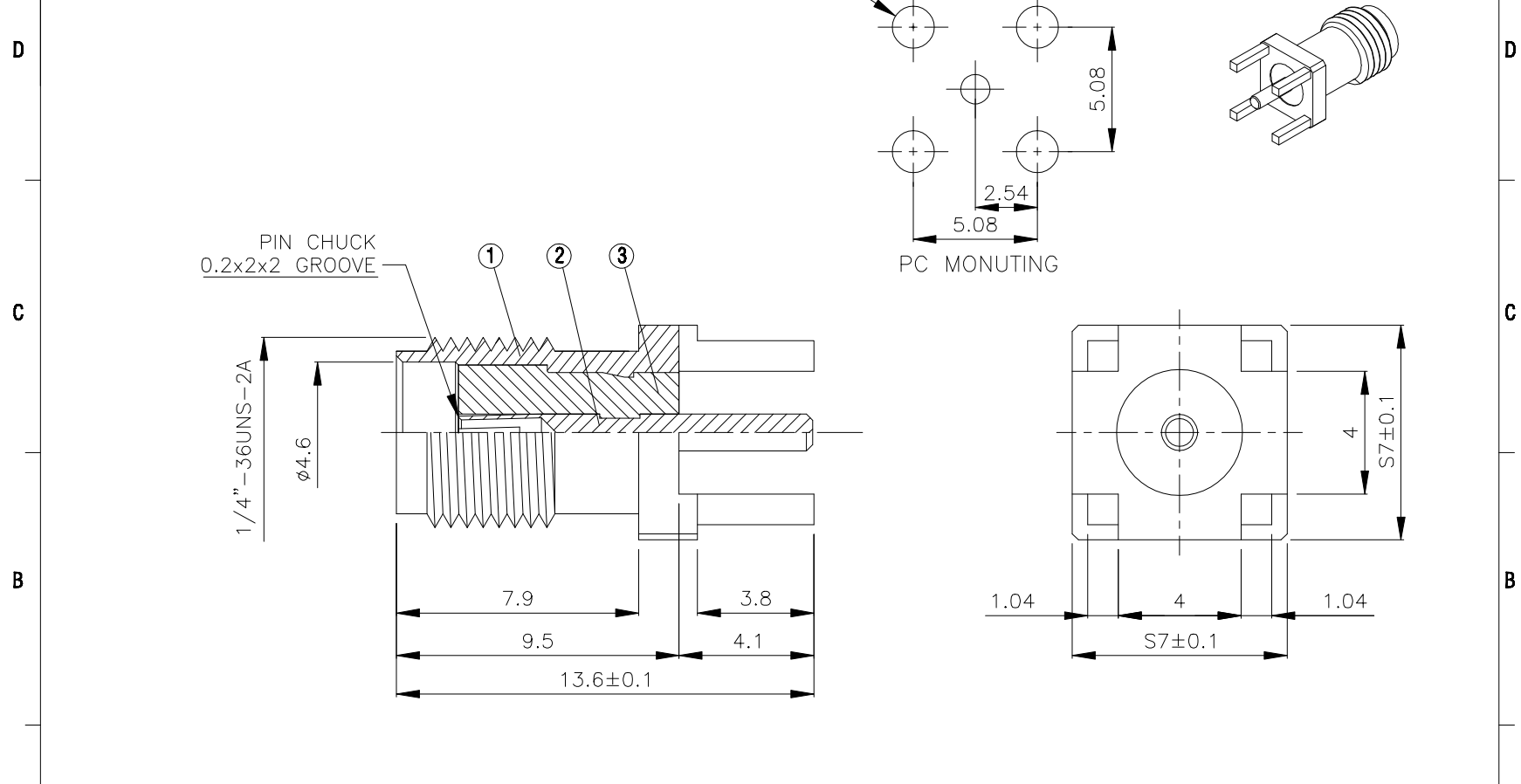


NO	DESCRIPTION	MATERIAL	Q'TY	FINISH	REMARK
1	BODY	BRASS	1	GOLD	B-SMA0041-G
2	PIN	BE CU	1	GOLD	P-SMA0133-G
3	INSULATION	TEFLON	1	TEFLON	I-0106T



	HUS-TSAN GROUP CO., LTD.	DRAWN	MARY	DATE	90.11.20	DIMENSIONS ARE IN MILLIMETERS		REVISION		
	P.O.BOX 40-76.TAINAN.TAIWAN,R.O.C.	CHECKED	蘇姿潔	DATE				UNLESS OTHERWISE SPECIFIED TOLERANCE		DESCRIPTION
	TITLE SMA FEMALE PCB MOUNT	Q.A.	馮健華	DATE		0.5-5=±0.2	120-315=±1			
	PART NO. SMA-10-TGG	APPROVAL	徐煥霖	DATE		5-30=±0.4	315-1000=±1.6			
	DRAWING NO. SMA 10 TGG	REVISION		DATE		30-120±0.6	1000-2000=±2.4			
							SCALE	4:1	SIZE	A