

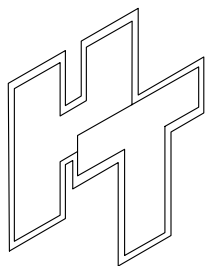
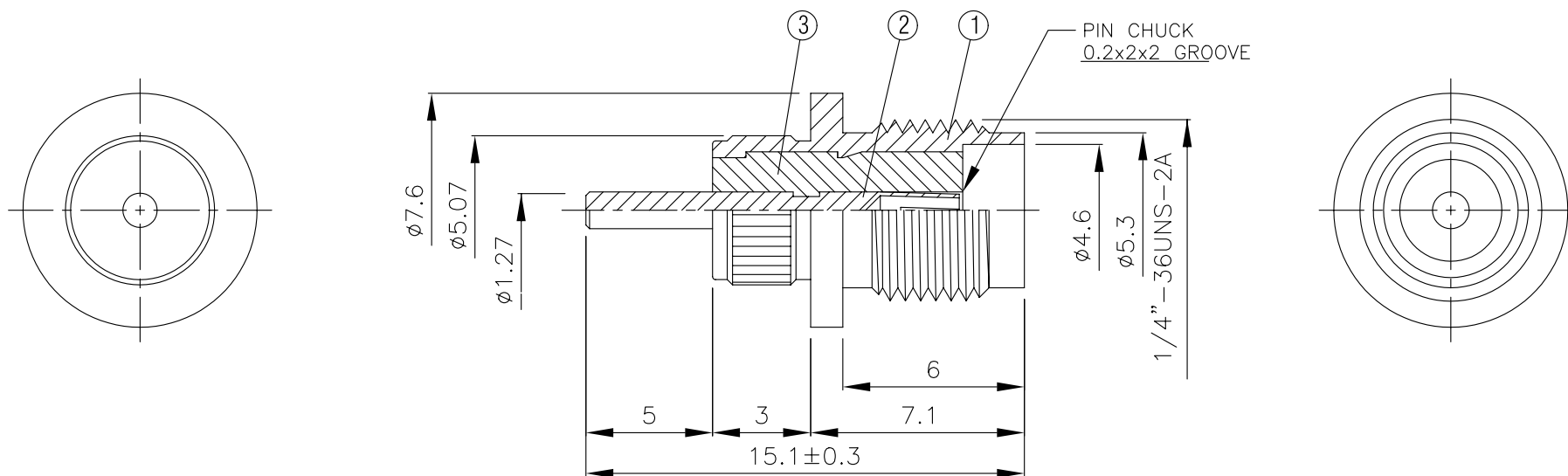
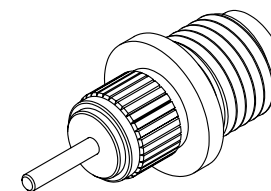
4

3

2

1

NO	DESCRIPTION	MATERIAL	Q'TY	FINISH	REMARK
1	BODY	BRASS	1	GOLD	B-SMA0453-G
2	PIN	BE CU	1	GOLD	P-SMA0299-G
3	INSULATION	TEFLON	1	TEFLON	I-0216T



HUS-TSAN GROUP CO., LTD.
P.O. BOX 40-76 TAINAN TAIWAN, R.O.C.
TITLE SMA FEMALE BULKHEAD RECEPTACLE
PART NO. SMA-09V9-TGG
DRAWING NO. SMA 09V9 TGG

DRAWN MARY **DATE** 96.03.27
CHECKED 蘇姿潔 **DATE**
Q.A. 馮健華 **DATE**
APPROVAL 徐燦霖 **DATE**
REVISION **DATE**

DIMENSIONS ARE IN MILLIMETER
UNLESS OTHERWISE SPECIFIED TOLERANCE
0.5-5=±0.2 120-315=±1
5-30=±0.4 315-1000=±1.6
30-120=±0.6 1000-2000=±2.4
SCALE 4:1 **SIZE** A

REVISION
DESCRIPTION **ENGINEER**

4

3

2

1

A