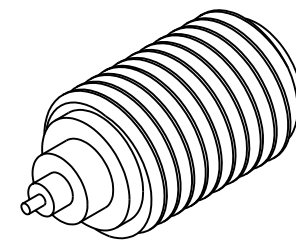
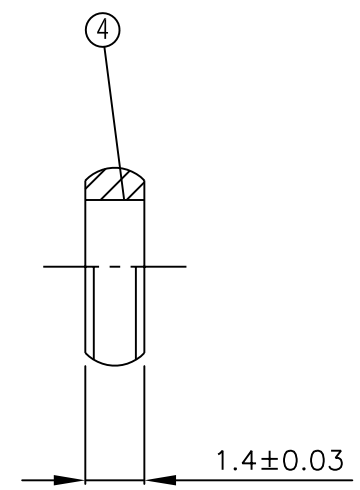
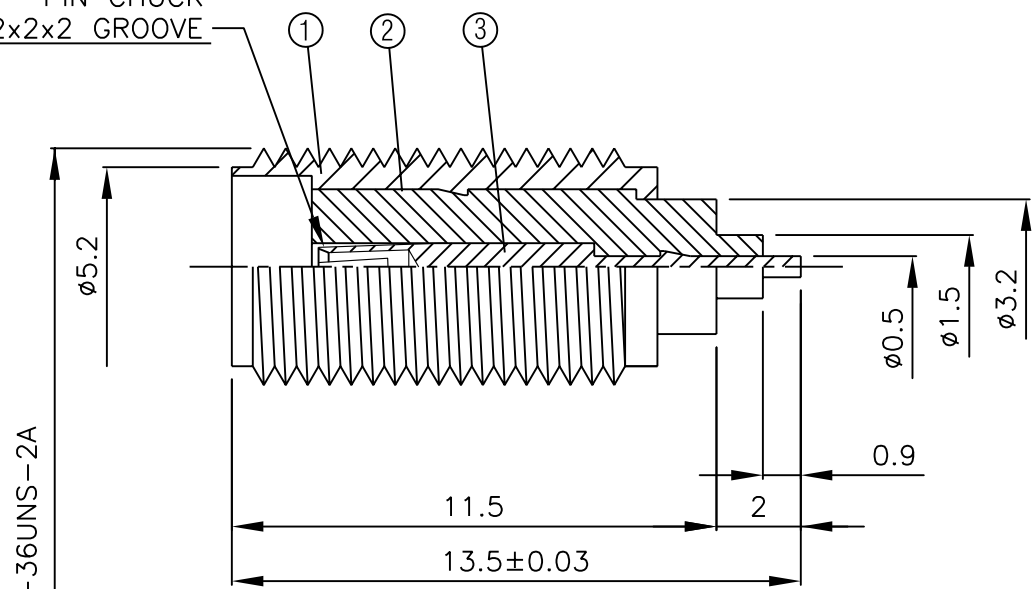


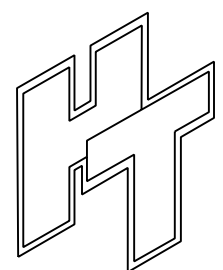
NO	DESCRIPTION	MATERIAL	Q'TY	FINISH	REMARK
1	BODY	BRASS	1	NICKEL	B-SMA0420-N
2	INSULATION	TEFLON	1	TEFLON	I-0196T
3	PIN	BE CU	1	GOLD	P-SMA0267-G
4	WASHER	BRASS	1	NICKEL	



PIN CHUCK
0.2x2x2 GROOVE



1/4" - 36UNS - 2A



HUS-TSAN GROUP CO., LTD.
P.O. BOX 40-76. TAINAN, TAIWAN, R.O.C.
TITLE SMA PANEL FEEDTHROUGH JACK RECEPTACLE
PART NO. SMA-09V7-TGN
DRAWING NO. SMA 09V7 TGN

DRAWN MARY DATE 96.03.20
CHECKED 黃巧君 DATE
Q.A. 蘇姿潔 DATE
APPROVAL 徐燦霖 DATE
REVISION DATE

DIMENSIONS ARE IN MILLIMETERS
UNLESS OTHERWISE SPECIFIED TOLERANCE
0.5-5=±0.2 120-315=±1
5-30=±0.4 315-1000=±1.6
30-120±0.6 1000-2000=±2.4
SCALE 4:1 SIZE A

REVISION	
DESCRIPTION	ENGINEER