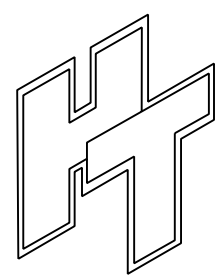
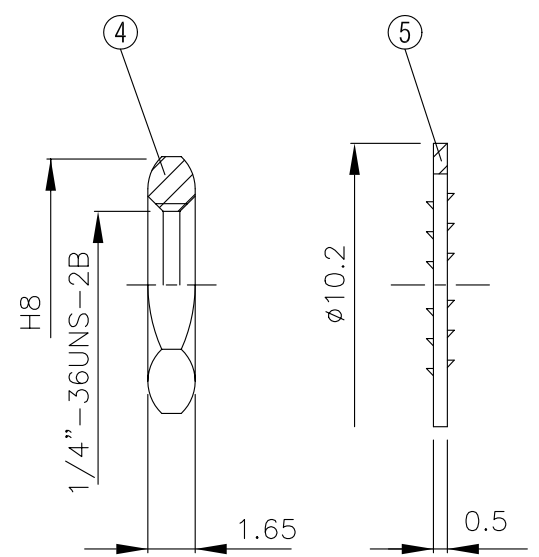
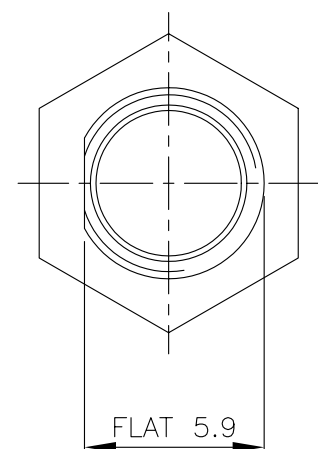
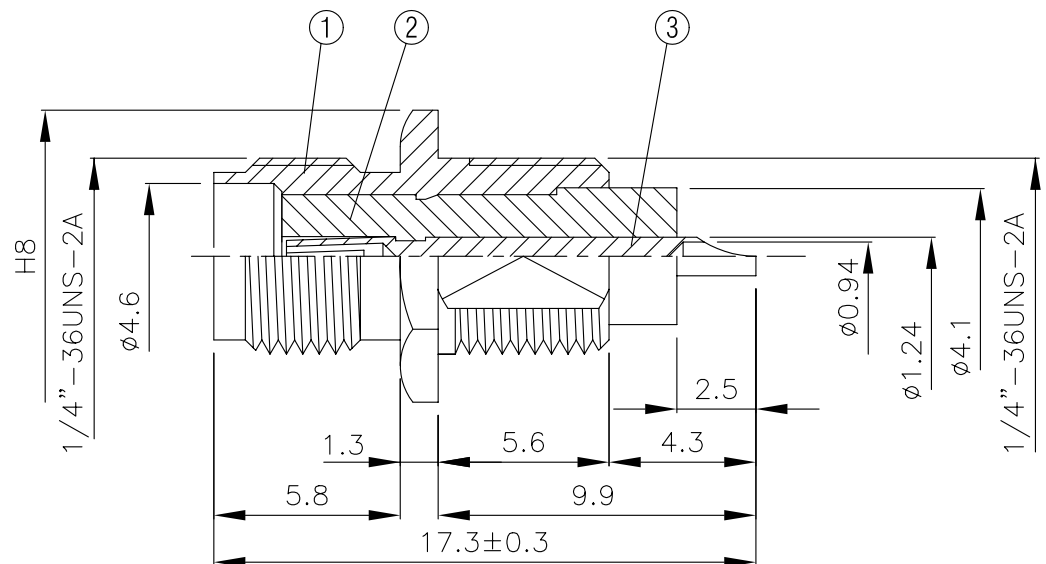
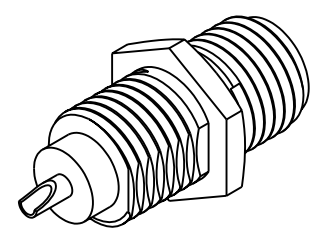
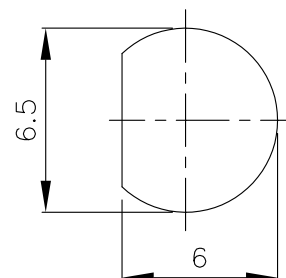


NO	DESCRIPTION	MATERIAL	Q'TY	FINISH	REMARK
1	BODY	BRASS	1	GOLD	B-SMA0087-G
2	INSULATION	TEFLON	1	TEFLON	I-0139T
3	PIN	BE CU	1	GOLD	P-SMA0073-G
4	NUT	BRASS	1	GOLD	N-0006
5	WASHER	BRASS	1	GOLD	W-0016



HUS-TSAN GROUP CO., LTD.
P.O.BOX 40-76.TAINAN.TAIWAN,R.O.C.
TITLE SMA FEMALE BULKHEAD
PART NO. SMA-09V4-TGG
DRAWING NO. SMA 09V4 TGG

DRAWN MARY **DATE** 96.03.15
CHECKED 蘇姿潔 **DATE**
Q.A. 馮健華 **DATE**
APPROVAL 徐燦霖 **DATE**
REVISION **DATE**

DIMENSIONS ARE IN MILLIMETERS
UNLESS OTHERWISE SPECIFIED
TOLERANCE
0.5-5=±0.2 120-315=±1
5-30= ±0.4 315-1000=±1.6
30-120±0.6 1000-2000=±2.4
SCALE 4:1 **SIZE** A

REVISION	
DESCRIPTION	ENGINEER