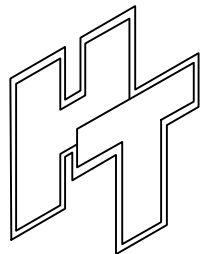
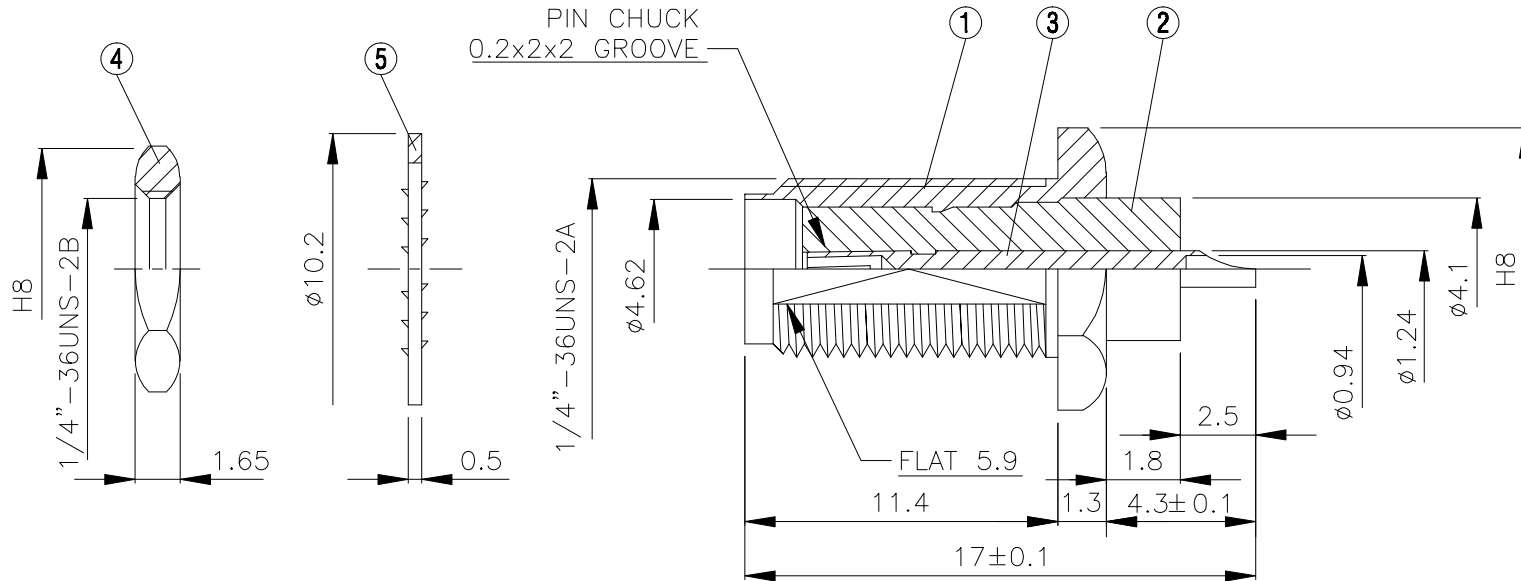
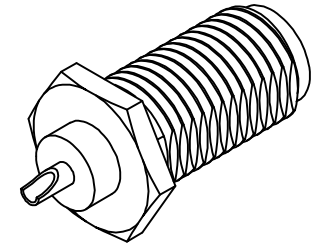
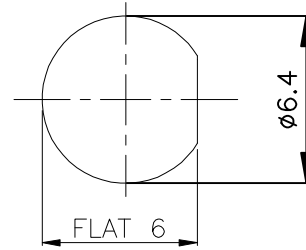


NO	DESCRIPTION	MATERIAL	Q'TY	FINISH	REMARK
1	BODY	BRASS	1	GOLD	B-SMA0088-G
2	INSULATION	TEFLON	1	TEFLON	I-0139T
3	PIN	BE CU	1	GOLD	P-SMA0073-G
4	NUT	BRASS	1	GOLD	N-0006
5	WASHER	BRASS	1	GOLD	W-0016



**HUS-TSAN GROUP CO., LTD.**  
P.O.BOX 40-76.TAINAN.TAIWAN,R.O.C.

**TITLE**  
SMA FEMALE BULKHEAD

**PART NO.**  
SMA-09-TGG

**DRAWING NO.** SMA 09 TGG

**DRAWN** MARY **DATE** 101.08.08

**CHECKED** 黃巧君 **DATE**

**Q.A.** 蘇姿潔 **DATE**

**APPROVAL** 徐燦霖 **DATE**

**REVISION** **DATE**

**DIMENSIONS ARE IN MILLIMETERS**

**UNLESS OTHERWISE SPECIFIED TOLERANCE**

0.5-5=±0.2 120-315=±1

5-30=±0.4 315-1000=±1.6

30-120=±0.6 1000-2000=±2.4

**SCALE** 4:1 **SIZE** A

**REVISION**

**DESCRIPTION** **ENGINEER**