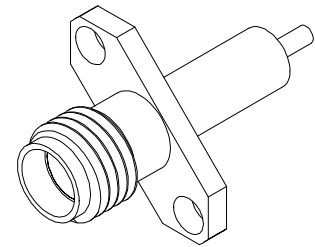
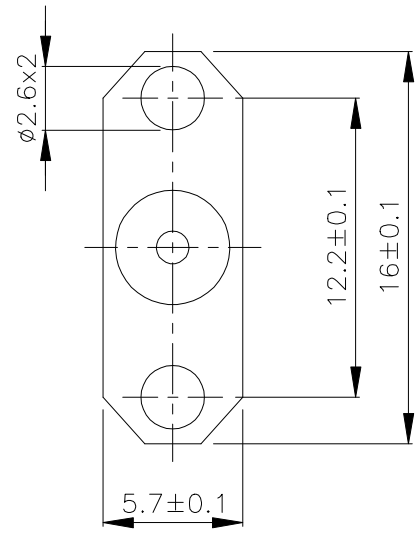
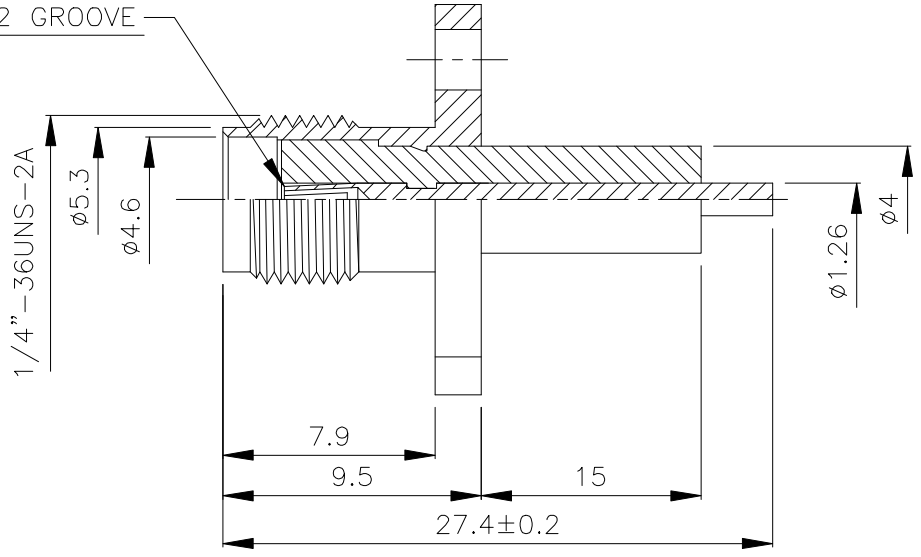


NO	DESCRIPTION	MATERIAL	Q'TY	FINISH	REMARK
1	BODY	BRASS	1	GOLD	B-SMA0036-G
2	INSULATION	TEFLON	1	TEFLON	I-0109T
3	PIN	BE CU	1	GOLD	P-SMA0028-G



PIN CHUCK
0.2x2x2 GROOVE



Working Voltage: 49 volts rms max.

	HUS-TSAN GROUP CO., LTD.		DRAWN MARY	DATE 96.03.12	DIMENSIONS ARE IN MILLIMETERS				REVISION	
	P.O.BOX 40-76.TAINAN.TAIWAN,R.O.C.		CHECKED 黄巧君	DATE	UNLESS OTHERWISE SPECIFIED TOLERANCE				DESCRIPTION	ENGINEER
	TITLE SMA FEMALE PC MOUNT		Q.A. 蘇姿潔	DATE	0.5-5=±0.2	120-315=±1				
	PART NO. SMA-08V13-TGG-1		APPROVAL 徐燦霖	DATE	5-30=±0.4	315-1000=±1.6				
	DRAWING NO. SMA 08V13 TGG-1		REVISION	DATE	30-120=±0.6	1000-2000=±2.4				
					SCALE 4:1	SIZE A				