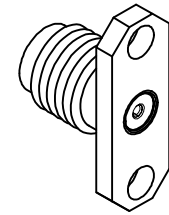
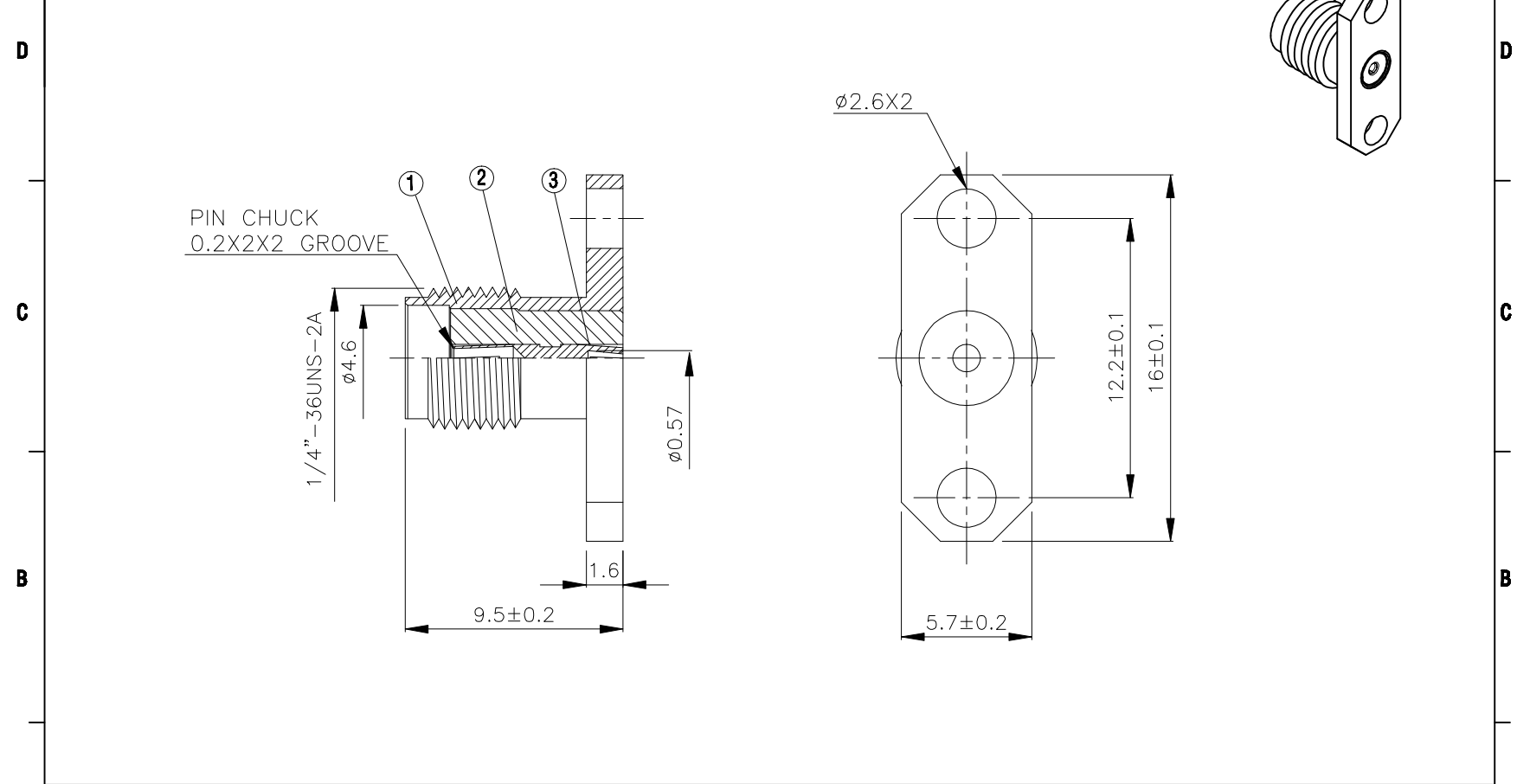


NO	DESCRIPTION	MATERIAL	Q'TY	FINISH	REMARK
1	BODY	BRASS	1	NICKEL	B-SMA0036-N
2	INSULATION	TEFLON	1	TEFLON	I-0114T
3	PIN	BE CU	1	GOLD	P-SMA0713-G



	<b>HUS-TSAN GROUP CO., LTD.</b>		DRAWN <b>MARY</b>		DATE <b>94.11.15</b>		<b>DIMENSIONS ARE IN MILLIMETERS</b> <b>UNLESS OTHERWISE SPECIFIED TOLERANCE</b>		REVISION	
	P.O. BOX 40-76. TAINAN. TAIWAN, R.O.C.		CHECKED <b>沈佳德</b>		DATE <b>94.11.15</b>				0.5-5=±0.2    120-315=±1 5-30=±0.4    315-1000=±1.6 30-120±0.6    1000-2000=±2.4	
	TITLE <b>SMA FEMALE PC MOUNT</b>		Q.A. <b>蘇姿潔</b>		DATE					
	PART NO. <b>SMA-08V11-TGN-3</b>		APPROVAL <b>徐燦霖</b>		DATE					
	DRAWING NO. <b>SMA-08V11-TGN-3</b>		REVISION		DATE		SCALE	4:1	SIZE	A

A

A

4

3

2

1