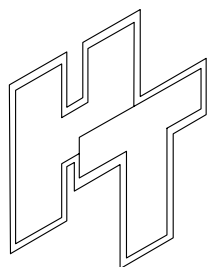
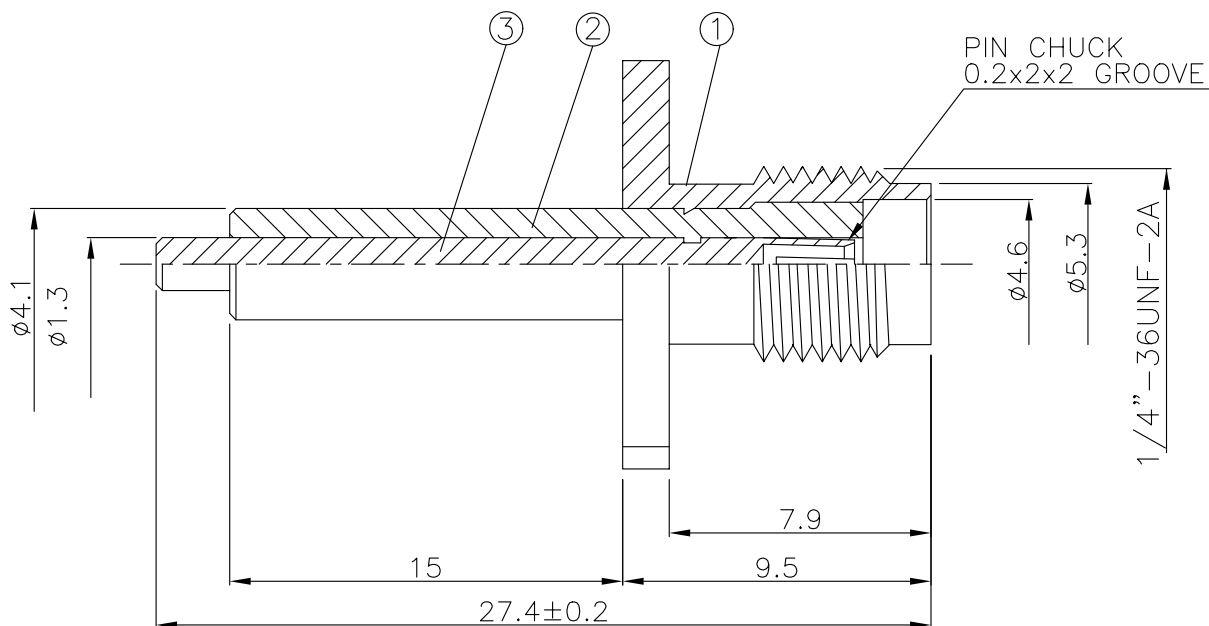
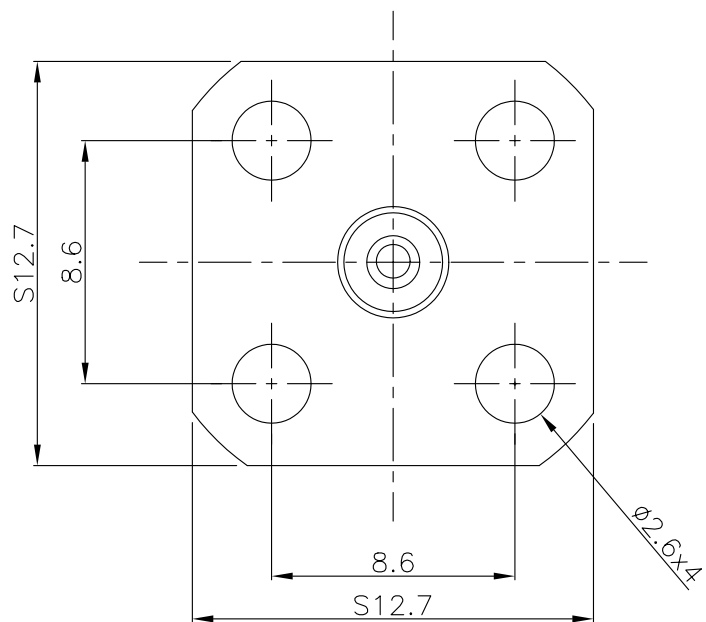
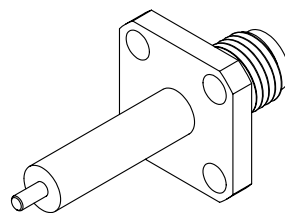


NO	DESCRIPTION	MATERIAL	Q'TY	FINISH	REMARK
1	BODY	BRASS	1	GOLD	B-SMA0037-G
2	INSULATION	TEFLON	1	TEFLON	I-0109T
3	PIN	BE CU	1	GOLD	P-SMA0028-G



HUS-TSAN GROUP CO., LTD.

P.O. BOX 40-76.TAINAN TAIWAN,R.O.C.

TITLE
SMA FEMALE PANEL RECEPTACLE

PART NO.
SMA-07V10-TGG

DRAWING NO. SMA 07V10 TGG

DRAWN MARY DATE 90.05.11

CHECKED 蘇姿潔 DATE

Q.A. 馮健華 DATE

APPROVAL 徐燦霖 DATE

REVISION DATE

DIMENSIONS ARE IN MILLMETER

UNLESS OTHERWISE SPECIFIED
TOLERANCES

0.5-5=±0.2 120-315=±1

5-30=±0.4 315-1000=±1.6

30-120=±0.6 1000-2000=±2.4

SCALE 5:1 SIZE A

REVISION

DESCRIPTION ENGINEER

4

3

2

1