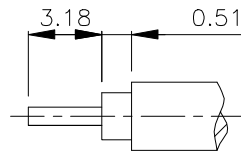
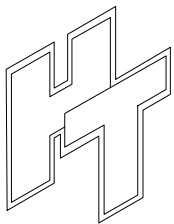
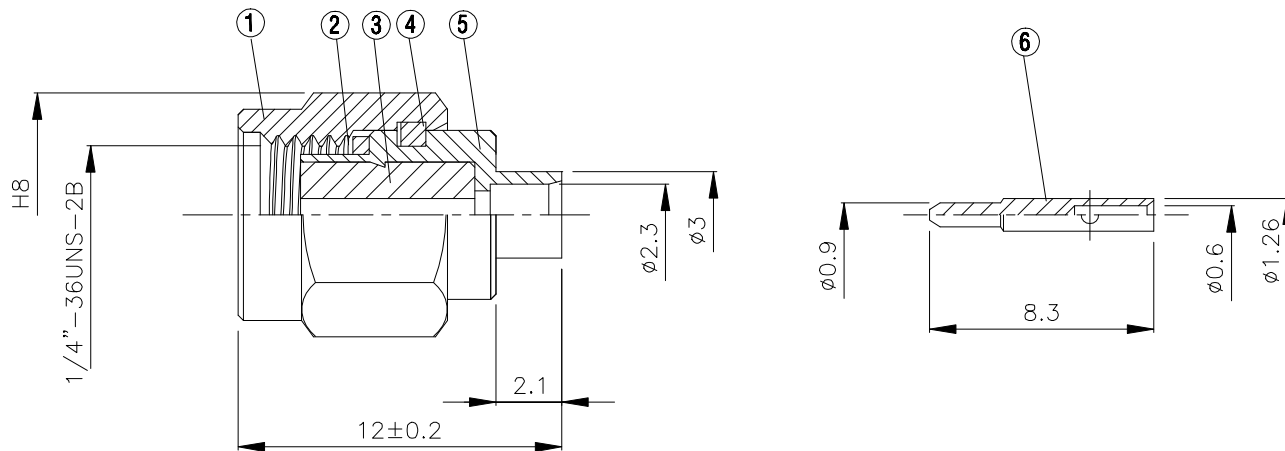
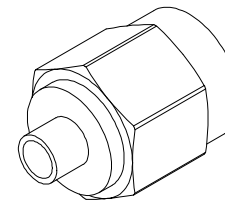


NO	DESCRIPTION	MATERIAL	Q'TY	FINISH	REMARK
1	SHELL	BRASS	1	NICKEL	B-SMA0043-N
2	GASKET	SI RUBBER	1	RUBBER	RU-0008
3	INSULATION	TEFLON	1	TEFLON	I-0115T
4	WASHER	SUS3003	1	GOLD	W-0012
5	BODY	BRASS	1	GOLD	B-SMA0044-G
6	PIN	BRASS	1	GOLD	P-SMA0040-G



(Recommended Stripping Dimension)



HUS-TSAN GROUP CO., LTD.

P.O. BOX 40-76.TAINAN.TAIWAN,R.O.C.

TITLE SMA MALE SOLDER
FOR RG405 (.085)

PART NO. SMA-03V1-TGG

DRAWING NO. SMA 03V1 TGG

DRAWN MARY DATE 96.03.28

CHECKED 蘇姿潔 DATE

Q.A. 馮健華 DATE

APPROVAL 徐燦霖 DATE

REVISION DATE

DIMENSIONS ARE IN MILLIMETERS

UNLESS OTHERWISE SPECIFIED
TOLERANCE

0.5-5=±0.2 120-315=±1

5-30=±0.4 315-1000=±1.6

30-120±0.6 1000-2000=±2.4

SCALE 4:1 SIZE A

REVISION

DESCRIPTION ENGINEER

4

3

2

1

A

A