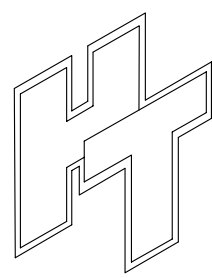
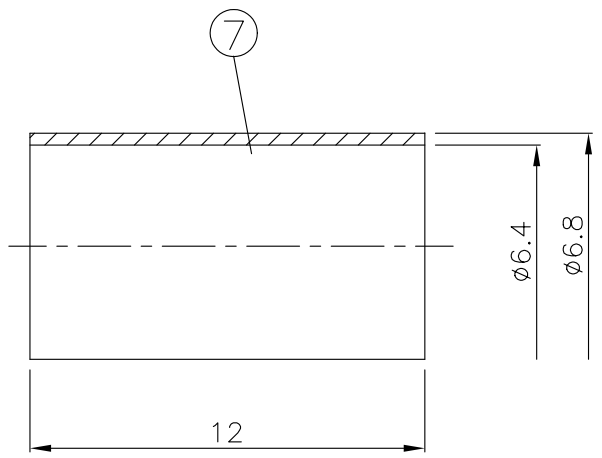
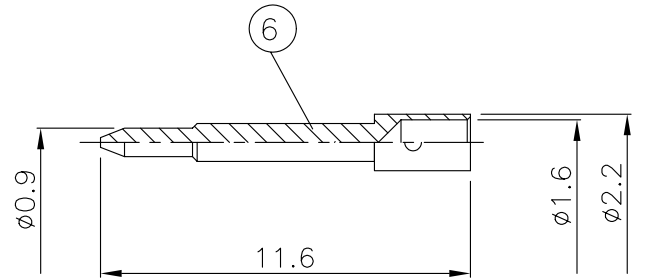
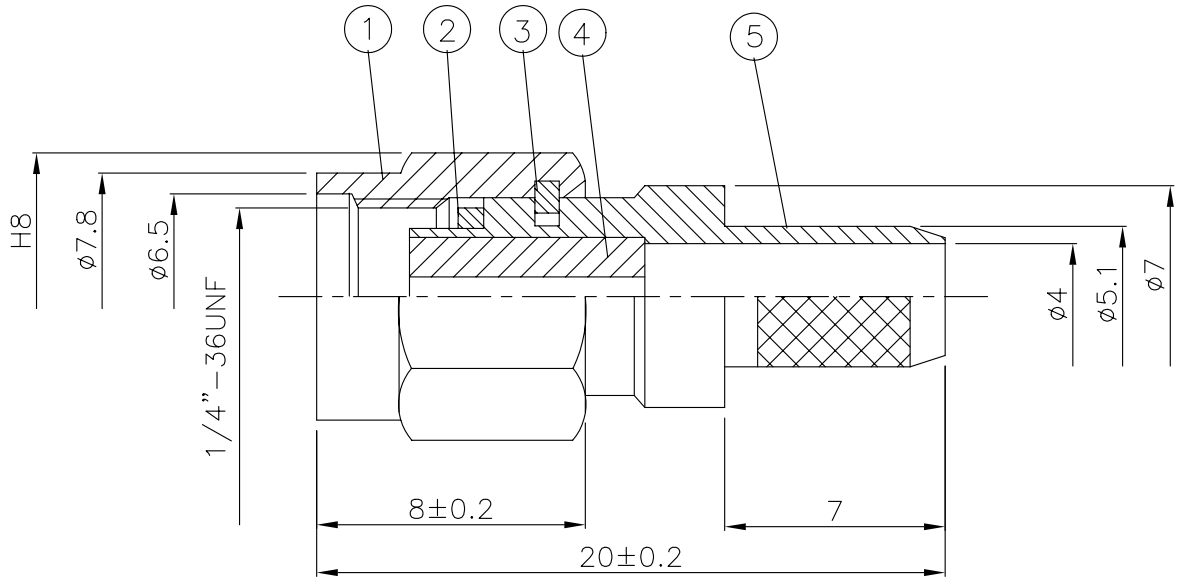
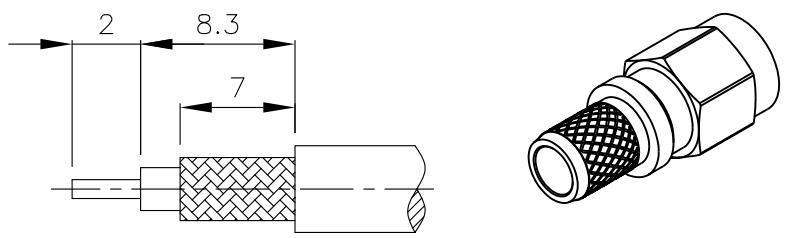


NO	DESCRIPTION	MATERIAL	Q'TY	FINISH	REMARK
1	SHELL	BRASS	1	NICKEL	B-SMA0043-N
2	GASKET	SI RUBBER	1	RUBBER	RU-0008
3	WASHER	BRASS	1	NICKEL	W-0012
4	INSULATION	TEFLON	1	TEFLON	I-0115T
5	BODY	BRASS	1	NICKEL	B-SMA0776-N
6	PIN	BRASS	1	GOLD	P-SMA0545-G
7	RING	BRASS	1	NICKEL	R-0064-N



**HUS-TSAN GROUP CO., LTD**  
P.O. BOX 40-76.TAINAN TAIWAN,R.O.C.  
**TITLE SMA MALE CRIMP FOR LMR-240**  
**PART NO. SMA-03R-TGN**  
**DRAWING NO. SMA-03R-TGN**

**DRAWN** MARY **DATE** 93.09.10  
**CHECKED** 黃巧君 **DATE** 93.09.10  
**Q.A.** 蘇姿潔 **DATE**  
**APPROVAL** 徐燦霖 **DATE**  
**REVISION** **DATE**

**DIMENSIONS ARE IN MILLIMETERS**  
**UNLESS OTHERWISE SPECIFIED TOLERANCES**  
0.5-5=±0.2 120-315=±1  
5-30=±0.4 315-1000=±1.6  
30-120=±0.6 1000-2000=±2.4  
**SCALE** 4:1 **SIZE** A

REVISION	
DESCRIPTION	ENGINEER