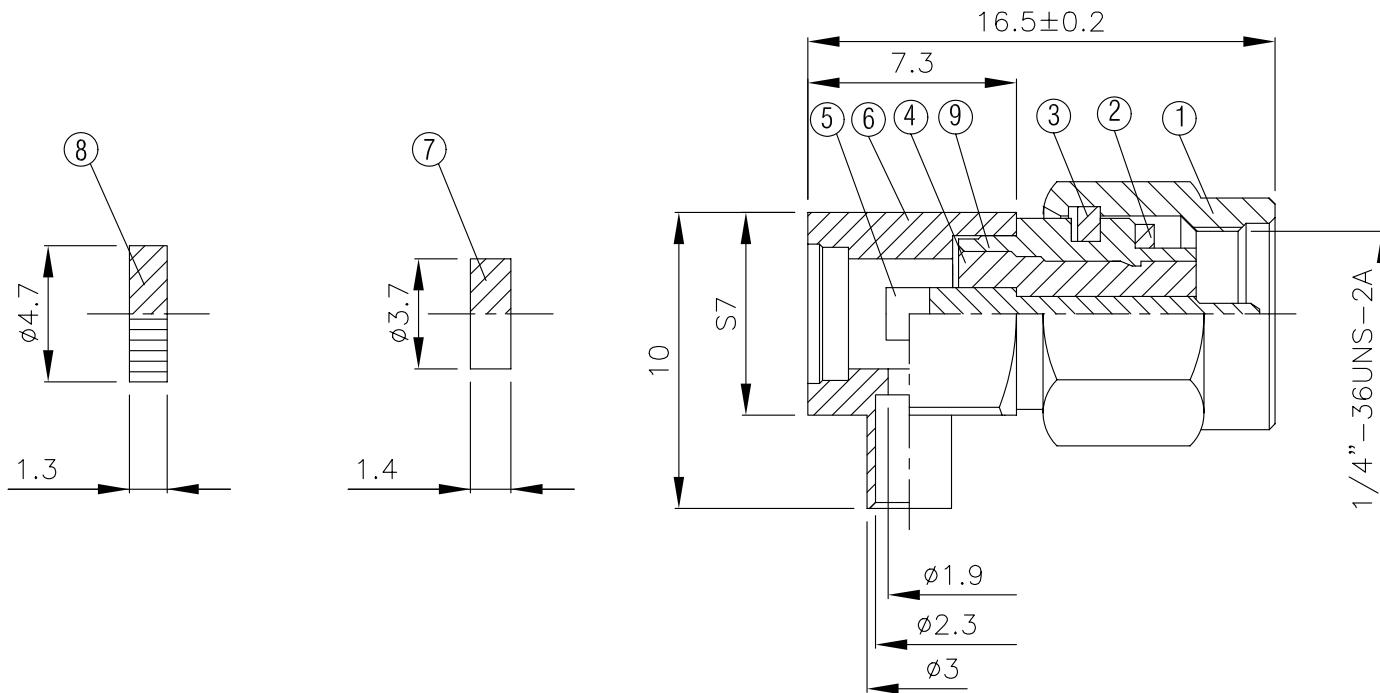
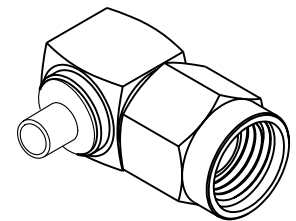
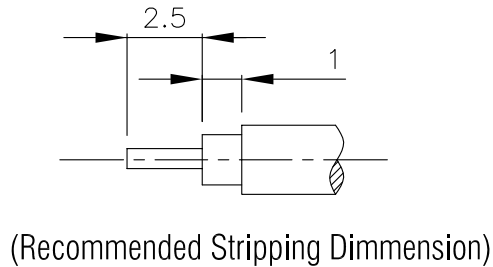
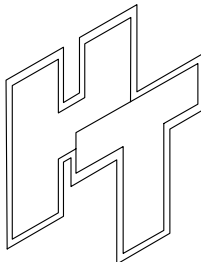


NO	DESCRIPTION	MATERIAL	Q'TY	FINISH	REMARK
1	SHELL	BRASS	1	GOLD	B-SMA0043-G
2	GASKET	SI RUBBER	1	GOLD	RU-0008
3	WASHER	PH.BRONZE	1	GOLD	W-0012-G
4	INSULATION	TEFLON	1	TEFLON	I-0138T
5	PIN	BE CU	1	GOLD	P-SMA0065-G
6	BODY	BRASS	1	GOLD	B-SMB0253-G
7	INSULATION	TEFLON	1	TEFLON	I-0136T
8	WASHER	BRASS	1	GOLD	W-0023-G
9	BODY	BRASS	1	GOLD	B-SMA0154-G



	<b>HUS-TSAN GROUP CO., LTD.</b> P.O.BOX 40-76.TAINAN.TAIWAN,R.O.C.		DRAWN MARY CHECKED <span style="border: 1px solid red; padding: 2px;">黃巧君</span> Q.A. <span style="border: 1px solid red; padding: 2px;">蘇姿潔</span> APPROVAL <span style="border: 1px solid red; padding: 2px;">徐燦霖</span> REVISION	DATE 96.03.27 DATE 96.03.27 DATE DATE	DIMENSIONS ARE IN MILLIMETERS UNLESS OTHERWISE SPECIFIED TOLERANCE 0.5-5=±0.2    120-315=±1 5-30=±0.4    315-1000=±1.6 30-120±0.6    1000-2000=±2.4	REVISION		
	TITLE SMA MALE SLDER FOR RG 405 (.085)				SCALE 4:1    SIZE A		DESCRIPTION	ENGINEER
	PART NO. SMA-02V1-TGG							
	DRAWING NO. SMA-02V1-TGG							