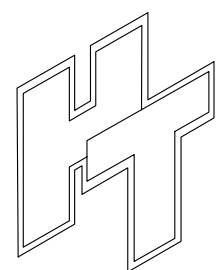
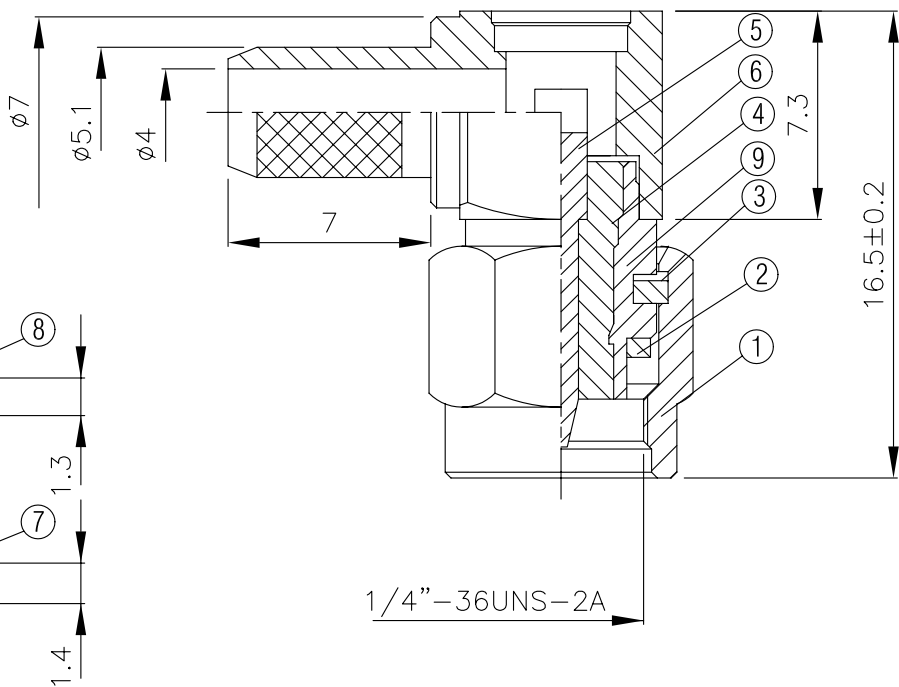
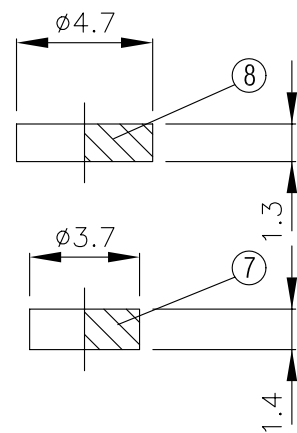
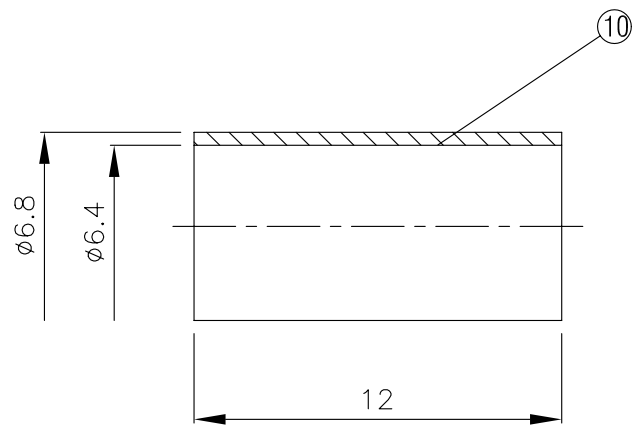
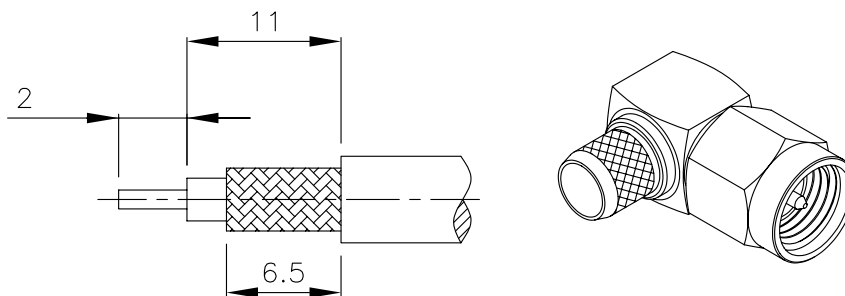


NO	DESCRIPTION	MATERIAL	Q'TY	FINISH	REMARK
1	SHELL	BRASS	1	NICKEL	B-SMA0043-N
2	GASKET	SI RUBBER	1	RUBBER	RU-0008
3	WASHER	PH.BRONZE	1	NICKEL	W-0012
4	INSULATION	TEFLON	1	TEFLON	I-0138T
5	PIN	BE CU	1	GOLD	P-SMA0718-G
6	BODY	BRASS	1	NICKEL	B-SMA0808-N
7	INSULATION	TEFLON	1	TEFLON	I-0136T
8	WASHER	BRASS	1	NICKEL	W-0023-N
9	BODY	BRASS	1	NICKEL	B-SMA0154-N
10	RING	BRASS	1	NICKEL	R-0064-N



HUS-TSAN GROUP CO., LTD.
P.O. BOX 40-76. TAINAN. TAIWAN, R.O.C.
TITLE SMA MALE ANGLE CRIMP FOR LMR-240
PART NO. SMA-02R-TGN
DRAWING NO. SMA-02R-TGN

DRAWN MARY **DATE** 94.12.10
CHECKED 沈佳憶 **DATE** 94.12.10
Q.A. 蘇姿潔 **DATE**
APPROVAL 徐燦霖 **DATE**
REVISION **DATE**

DIMENSIONS ARE IN MILLIMETERS
UNLESS OTHERWISE SPECIFIED TOLERANCE
0.5-5=±0.2 120-315=±1
5-30=±0.4 315-1000=±1.6
30-120±0.6 1000-2000=±2.4
SCALE 4:1 **SIZE** A

REVISION
DESCRIPTION **ENGINEER**