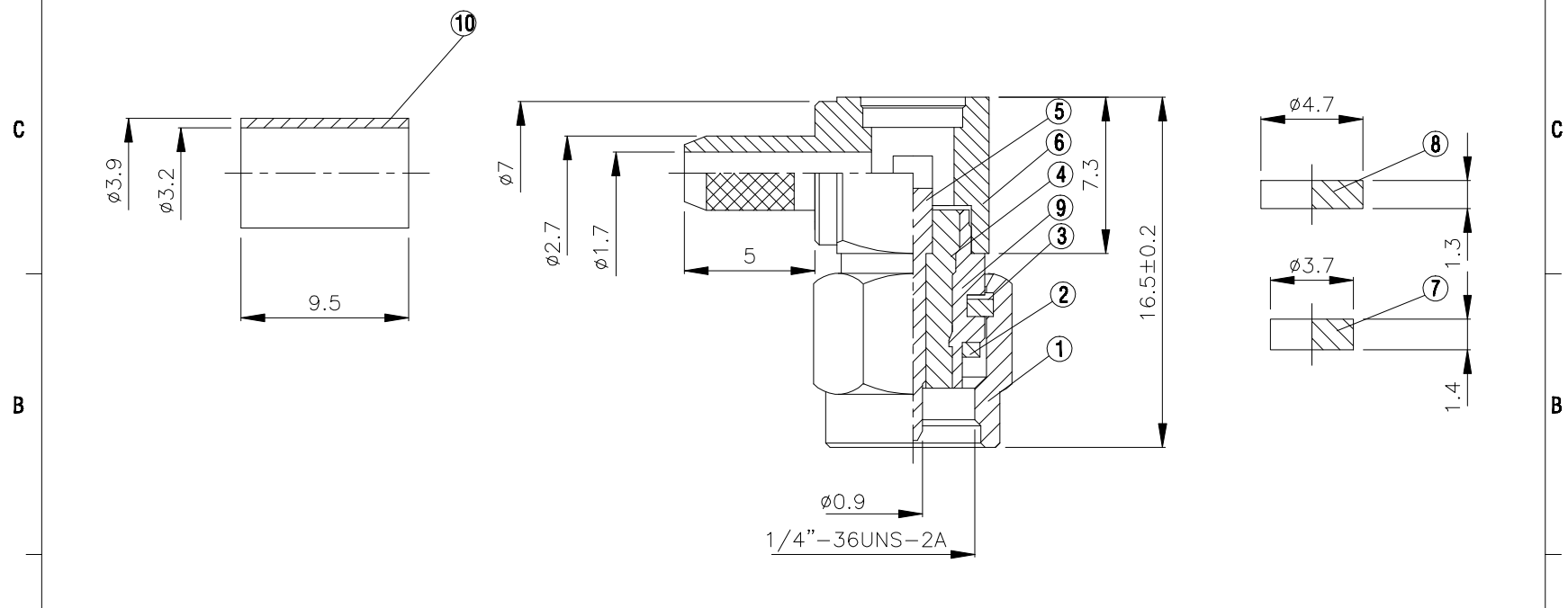
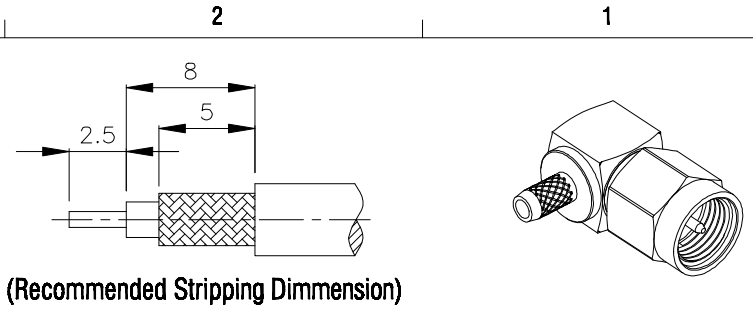


NO	DESCRIPTION	MATERIAL	Q'TY	FINISH	REMARK
1	SHELL	BRASS	1	NICKEL	B-SMA0043-N
2	GASKET	SI RUBBER	1	RUBBER	RU-0008
3	WASHER	PH.BRONZE	1	NICKEL	W-0012
4	INSULATION	TEFLON	1	TEFLON	I-0138T
5	PIN	BRASS	1	GOLD	P-SMA0065-G
6	BODY	BRASS	1	NICKEL	B-SMA0155-N
7	INSULATION	TEFLON	1	TEFLON	I-0136T
8	WASHER	BRASS	1	NICKEL	W-0023-N
9	BODY	BRASS	1	NICKEL	B-SMA0154-N
10	RING	BRASS	1	NICKEL	R-0002-N



	HUS-TSAN GROUP CO., LTD.		DRAWN	MARY	DATE	96.03.27	DIMENSIONS ARE IN MILLIMETERS		REVISION	
	P.O.BOX 40-76.TAINAN.TAIWAN,R.O.C.		CHECKED	蘇志欣	DATE	97.04.29			UNLESS OTHERWISE SPECIFIED TOLERANCE	
	TITLE SMA MALE CRIMP FOR RG 174U		Q.A.	蘇姿潔	DATE		0.5-5=±0.2	120-315=±1		
	PART NO. SMA-02LV1-TGN		APPROVAL	徐燦霖	DATE		5-30=±0.4	315-1000=±1.6		
	DRAWING NO. SMA 02LV1 TGN		REVISION		DATE		30-120±0.6	1000-2000=±2.4		
						SCALE	4:1	SIZE	A	