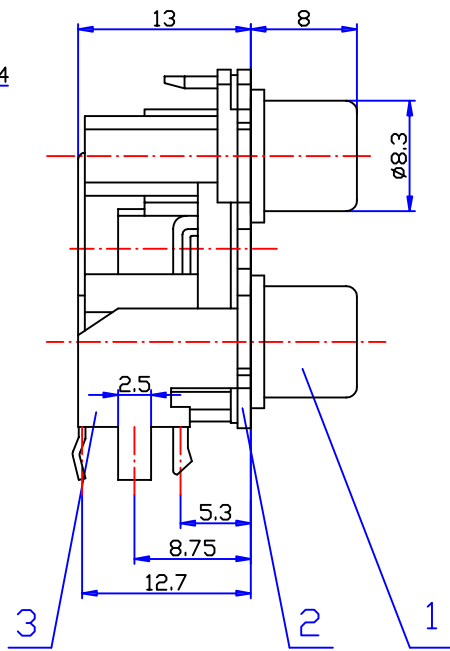
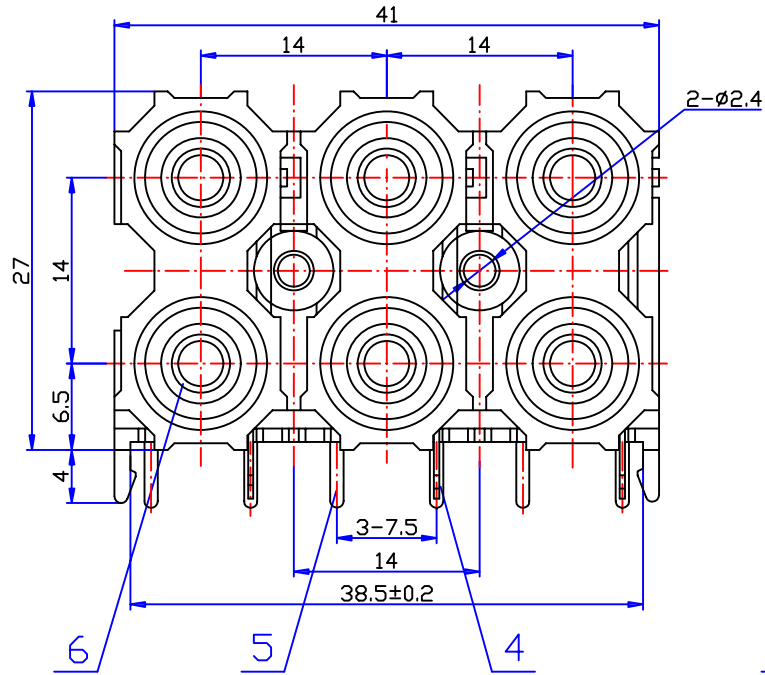
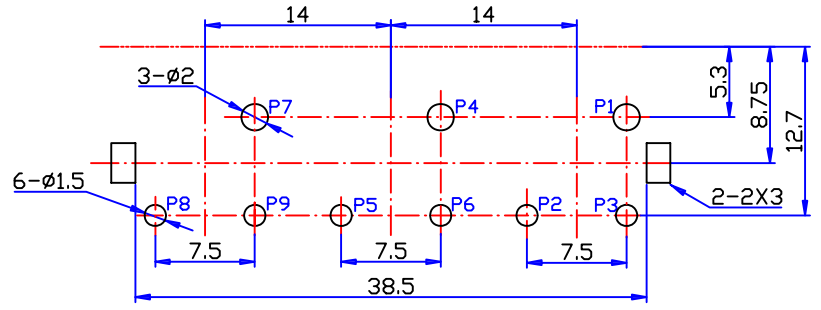


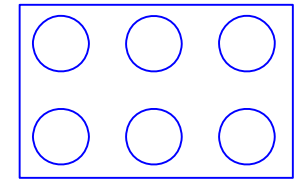
RoHS  
Compliant  
Drawing For  
Reference Only



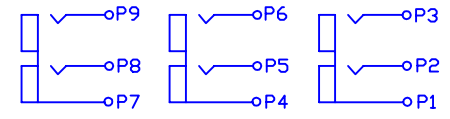
Dimensions of PC board holes (Commend)  
Bottom View (t=1.6mm) ⊙



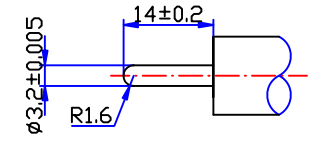
Color Layout



Circuit Diagram



Gauge Diagram



Technical requirement :

1. This product should meet EU RoHS related requirement.
2. The surface of plastic part should be without any crackle such as burr,lack,and so on phenomenon.
3. The surface of metal part should be without any defect such as scaur,nick,oxidation and plating problem.
4. The electronic performance should be the same as spec.
5. The un-specified tolerance is : <math><6\pm0.2</math>  
6~20±0.3  
>20±0.4

6	Waser	6	PBT	----
5	Pincer Needle(S)	3	H62 Brass t=0.4	CuSn
4	Pincer Needle(L)	3	H62 Brass t=0.4	CuSn
3	Base	1	PBT	----
2	Cover	3	PBT	----
1	Outer Conductor	3	H65 Brass t=0.4	CuSn
No.	Name	QTY	Material	Plating

**DCI DRAGON CITY INDUSTRIES LIMITED**

Item Name	6P RCA Jack Board	Tolerance :
Item No.	RS-613(PBT)	Unit : mm

Design	K.W Law	Remark	Scale
Drawing	W.K Yeung	Remark	Material
Check	K.L Wong	Remark	Drawing No. 101007-1706
Approval	K.W Chan	Remark	Sheet