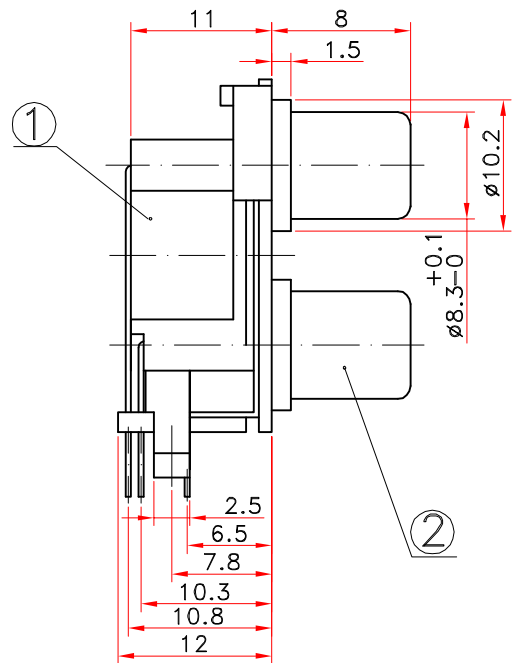
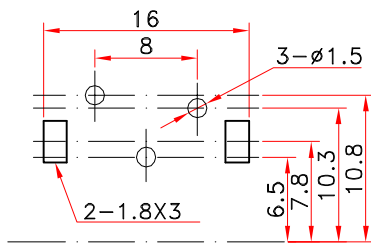
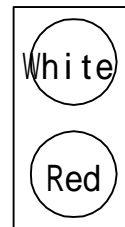


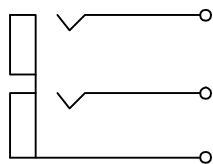
Dimensions of PC board holes



Color sketch



Circuit sketch



Notes, Unspecified tolerance is:
 0~6 ±0.1mm
 6~20 ±0.2mm
 >20 ±0.3mm

6	Long Connect Needle	1	QSn6.5-0.1 δ=0.4	D.Cu/Sn
5	Short Connect Needle	1	QSn6.5-0.1 δ=0.4	D.Cu/Sn
4	Washer	2	ABS	——
3	Glasser flat	1	ABS	——
2	Outer Conductor	2	H65 t=0.4	D.Cu/Sn
1	Base	1	ABS	——
No:	Name	QTY	Material	Coat Cladding Material

Nurnber of old Base Map						AV2-8.4-9 Pin Jack			
Nurnber of Base Map									
Date	Mark	Place Number	Changed document number	Signer	Date	Design Mark	Weight	Proportion	
	Signer	WenShengQian		JingDanZhao		A	B	1:1	ZHEJIANG ZUANBAO ELECTRONIC Co.,Ltd.
	Proofreader		Approved	GuangQu		1 piece together		the first piece	
	Verifier	ZiGuiXia							
	Technology		Date	2005.04.22					