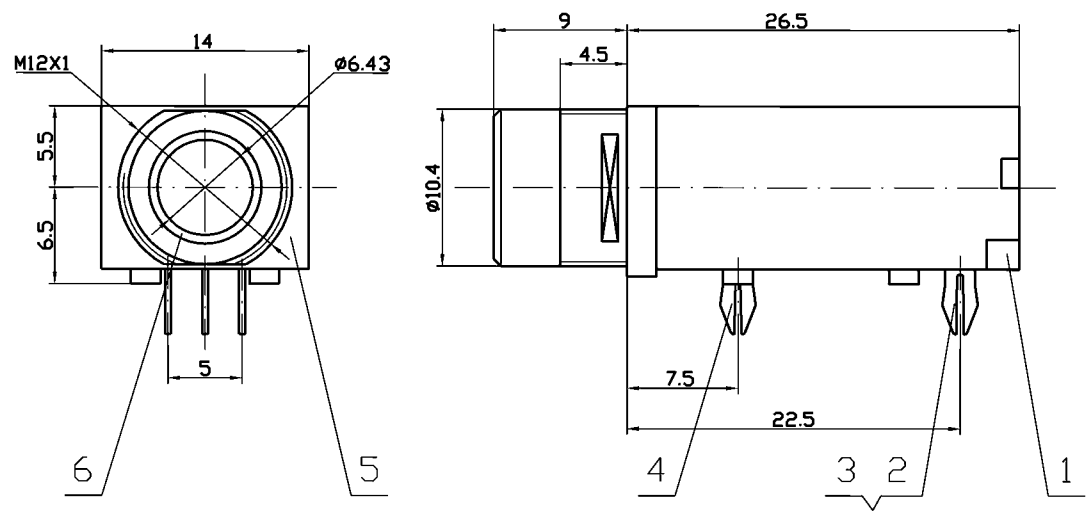
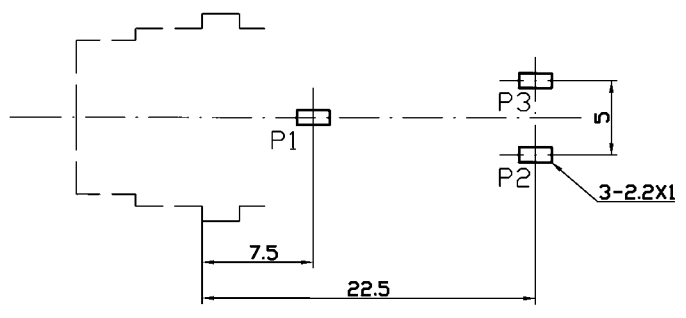


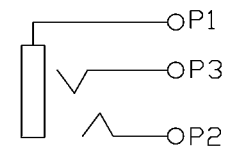
**RoHS  
Compliant  
Drawing For  
Reference Only**



Dimensions of PC board holes (Commend)



Circuit Diagram



**Technical requirement :**

1. This product should meet EU RoHS related requirement.
2. The surface of plastic part should be without any crackle such as burr,lack,and so on phenomenon.
3. The surface of metal part should be without any defect such as scaur,nick,oxidation and plating problem.
4. The electronic performance should be the same as spec.
5. The un-specified tolerance is : <math>-6\pm 0.2</math>  
     6~20<math>\pm 0.3</math>  
     >20<math>\pm 0.4</math>

6	Outer Conductor	1	H59 Brass	Ni
5	Base	1	PBT (Black)	—
4	P1 # Needle	1	QSn6.5-0.1 t=0.3	Ag
3	P2 # Needle	1	QSn6.5-0.1 t=0.35	Ag
2	P3 # Needle	1	QSn6.5-0.1 t=0.3	Ag
1	Back Cover	1	PBT	—
No.	Name	QTY	Material	Plating

**DCI DRAGON CITY INDUSTRIES LIMITED**

Item Name	6.3 MM PHONE JACK	Tolerance :	Design	K.W Law	Remark	Scale
Item No.	ST-008S-04-EN	Unit : mm	Drawing	W.K Yeung	Remark	Material
			Check	K.L Wong	Remark	Drawing No. A310101415
			Approval	K.W Chan	Remark	Sheet