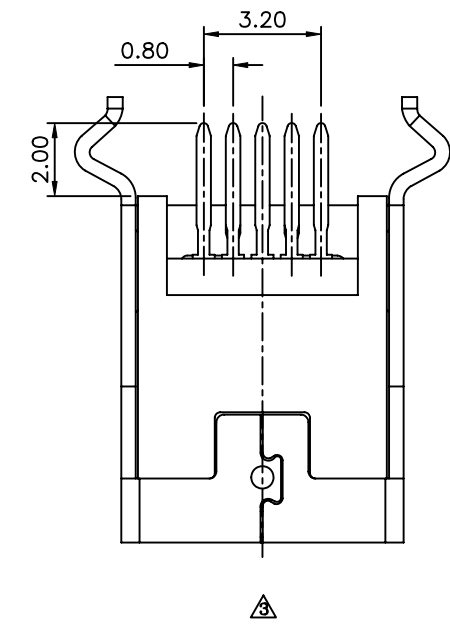
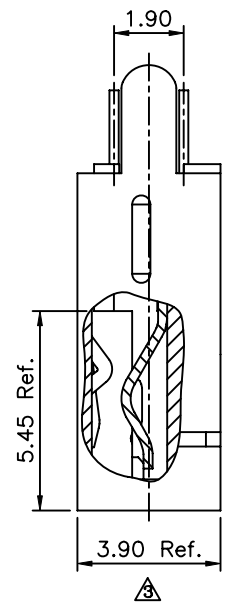
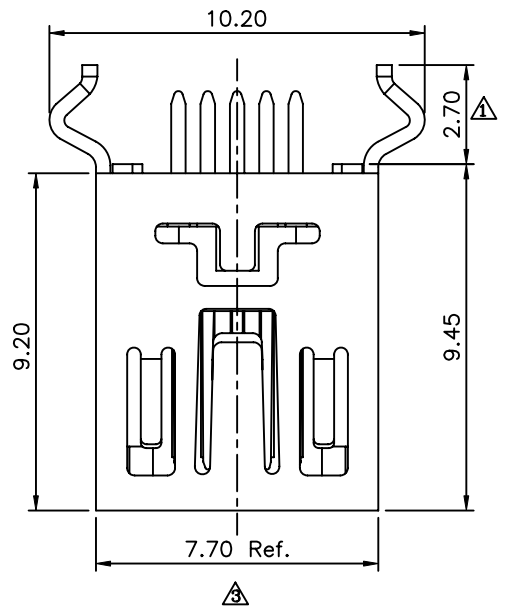


△ SPECIFICATION
 Current Rating:1A Max.
 Dielectric Withstanding Voltage:100V AC For 1 Minute
 Contact Resistance:50 Milliohms Max.
 Insulation Resistance:100 Megaohms Min.
 Temperature Range:-55°C~+85°C
 Total Mating Force:3.5 kgf Max.
 Total Unmating Force:0.7 kgf Min.
 Contacts:Phosphor Bronze
 Gold Plated On Contact Area
 Bright Tin Plated On Solder Area
 Nickel Plated Over All
 Insulator:LCP+30%G.F.(UL94V-0),Black
 Shell:Brass,Nickel Plated Over All
 RoHS Compliant



△ Pin	Function
1	VBUS
2	D+
3	D-
4	ID
5	GND

AUK A MEMBER OF AUK GROUP
太聯事業股份有限公司
AUK CONTRACTORS CO., LTD.

CATEGORY	APPROVED BY	EMILY	UNLESS OTHERWISE SPECIFIED TOLERANCES ARE	△ A3	Modify Data	HZF	03/07/2011
PART No. MSB5BSD-HH	CHECKED BY	HZF	.X ±0.38 .X* ±2.0 .XX ±0.25 .XX* ±1.0 .XXX ±0.13 .XXX* ±0.5	△ A2	Modify P/N:MSB5BSD-H -->MSB5BSD-HH	HZF	05/24/2010
DRAWING No. MSB5BSD-HH	DRAWING BY	WZL	UNIT mm	△ A1	Modify Data	HZF	12/18/2009
SCALE NONE	REV.	A3	NO.REV.	△ A0	NEW RELEASE	HZF	02/05/2009
					REVISIONS	CHK	DATE