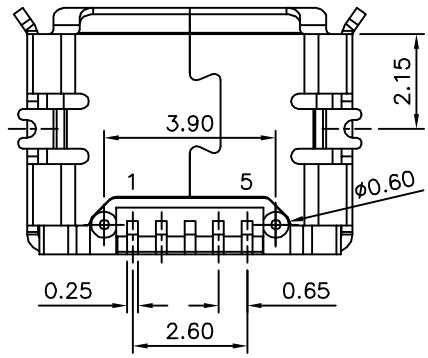
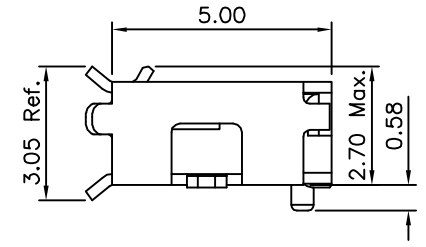
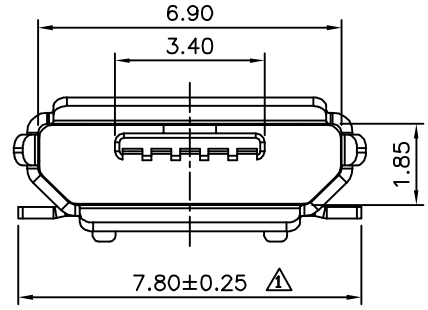


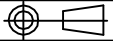
Recommended P.C.B. Layout(Top View)
(General Tolerance ± 0.05)



SPECIFICATION
 Current:1.0A Max.
 Voltage:30V Max.
 Withstanding Voltage:100V AC
 Contact Resistance:30 Milliohms Max.
 40 Milliohms Max. After 10000 Cycles
 Insulation Resistance:100 Megohms Min.
 Temperature Range:-40°C~+80°C
 Mating Force:35N Max.
 Withdrawal Force:10N Min.
 Durability:10000 Cycles Min.
 8~20N After 10000 Cycles
 Contact:Brass
 Insulator:LCP+30%G.F.(UL94V-0),Black
 Shell:SUS 301,Nickel Plated Over All
 RoHS Compliant

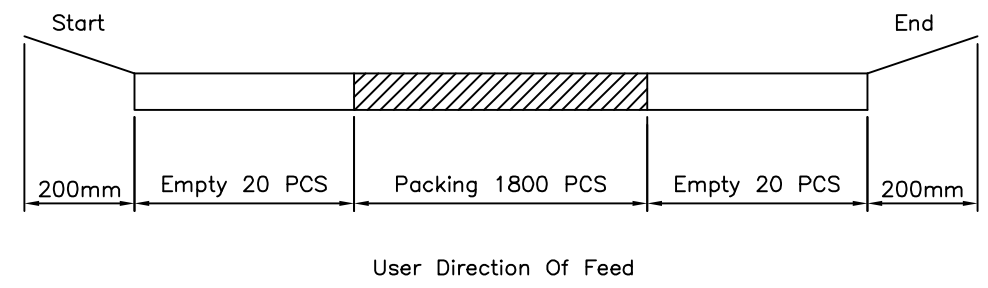
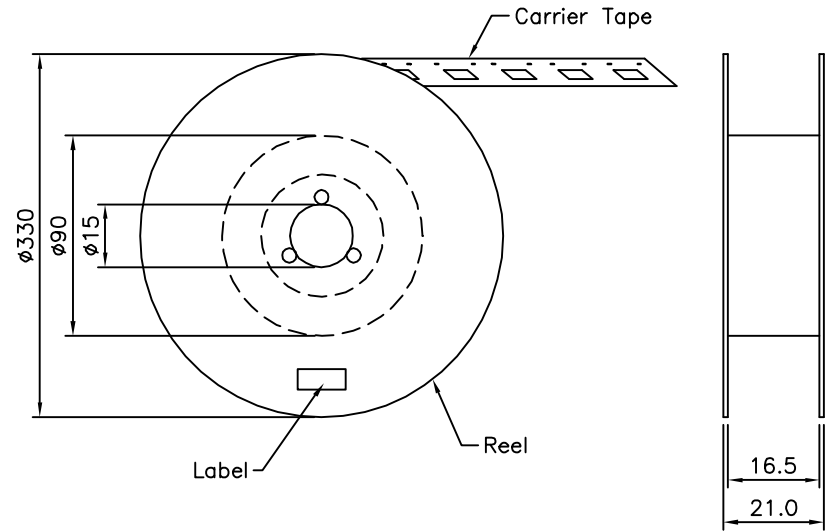
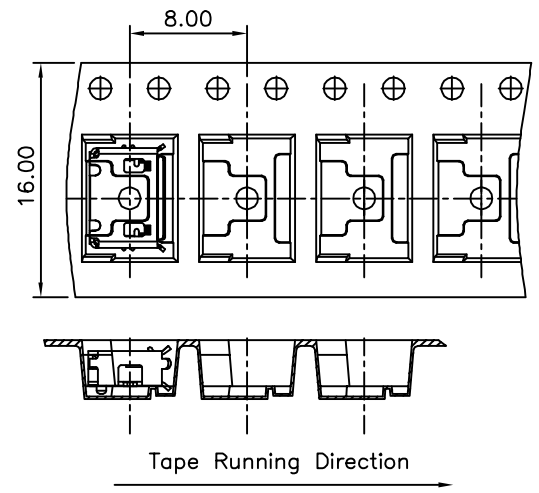
- MCSB 5B SW -GXX - R1K8 - H
 (1) (2) (3) (4) (5) (6)
- (1) MCSB:Micro USB
 - (2) 5B:5 Position B Type
 - (3) SW:Female SMT Right Angle
 - (4) GXX:Contact Finish
 G03:Gold Plated 3u" Over All,Over Nickel
 G15:Gold Plated 15u" Over All,Over Nickel
 - (5) R1K8:Tape&Reel 1800 PCS/Reel
 - (6) H:RoHS Compliant

AUK A MEMBER OF AUK GROUP
太聯事業股份有限公司
AUK CONTRACTORS CO., LTD.

CATEGORY		APPROVED BY EMILY		UNLESS OTHERWISE SPECIFIED TOLERANCES ARE .X ± 0.25 .X* $\pm 2^{\circ}$.XX ± 0.10 .XX* $\pm 1^{\circ}$ Δ .XXX* ± 0.5
PART No. MCSB5BSW-GXX-R1K8-H		CHECKED BY HZF		
DRAWING No. MCSB5BSW-GXX-R1K8-H		DRAWING BY SONG		
SCALE	NONE	REV.	A1	
UNIT mm				NO.REV.

NO.	REV.	REVISIONS	CHK	DATE
Δ A1		Modify Data	HZF	08/21/2012
Δ A0		NEW RELEASE	HZF	05/21/2011

SPECIFICATION
 Reel: $\phi 330 \times 21$ mm
 Q'ty: 1800 PCS/Reel
 RoHS Compliant



AUK A MEMBER OF AUK GROUP
太聯事業股份有限公司
AUK CONTRACTORS CO., LTD.

CATEGORY		APPROVED BY EMILY	
PART No. MCSB5BSW-GXX-R1K8-H		CHECKED BY HZF	
DRAWING No. MCSB5BSW-GXX-R1K8-H		DRAWING BY SONG	
SCALE	NONE	REV.	A1

UNLESS OTHERWISE SPECIFIED TOLERANCES ARE
 .X ± 0.38
 .XX ± 0.25

UNIT mm

NO.	REV.	REVISIONS	CHK	DATE
\triangle A1		Modify Data	HZF	08/21/2012
\triangle A0		NEW RELEASE	HZF	05/21/2011