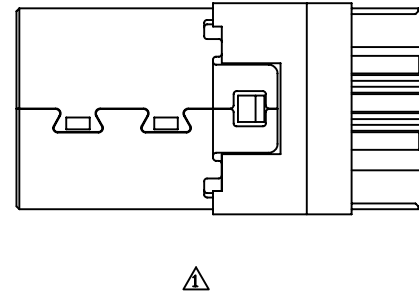
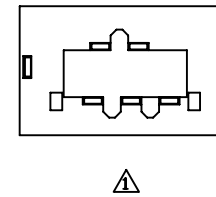
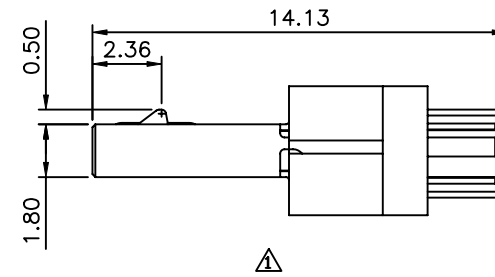
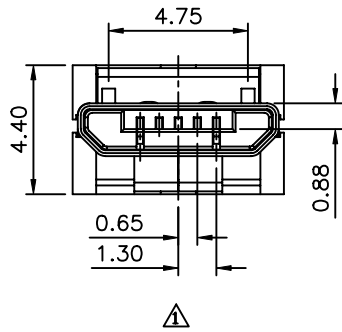
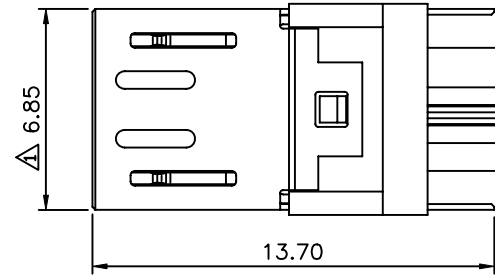


△ SPECIFICATION

Current:1.0A Max.
 Voltage:30V Max.
 Withstanding Voltage:100V AC
 Contact Resistance:30 Milliohms Max.
 Insulation Resistance:100 Megaohms Min.
 Temperature Range:-30°C~+80°C
 Mating Force:35N Max.
 Withdrawal Force:8N Min. Initial
 Durability:10000 Cycles Min.
 Insulator/Back Cup:PBT+30%G.F.(UL94V-0),Black
 Contact:C5191R-EH,
 Gold Plated On Contact Area,
 Tin Plated On Solder Tail,Under Nickel
 Shell:SUS 301R-1/4H,Nickel Plated
 Hook:SUS 301R-EH
 RoHS Compliant



AUK A MEMBER OF AUK GROUP
太聯事業股份有限公司
AUK CONTRACTORS CO., LTD.

CATEGORY		APPROVED BY	
		MEI	
PART No.		CHECKED BY	
MCSB5BPS-H		HZF	
DRAWING No.		DRAWING BY	
MCSB5BPS-H		QQJ	
SCALE	NONE	REV.	B1

UNLESS OTHERWISE SPECIFIED TOLERANCES ARE			
.X ±0.38	.X* ±2°		
.XX ±0.25	.XX* ±1°		
.XXX ±0.13	.XXX* ±0.5°		
UNIT	mm		

NO.	REV.	REVISIONS	CHK	DATE
△ B1		Modify Data	HZF	09/20/2010
△ B0		NEW RELEASE	HZF	27/08/2009