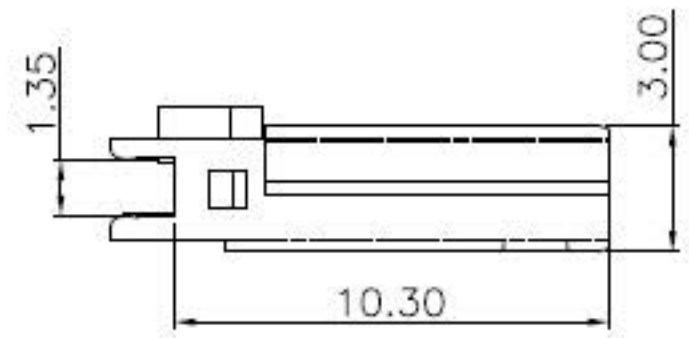
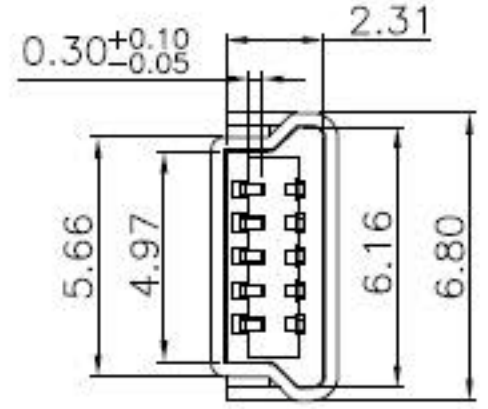
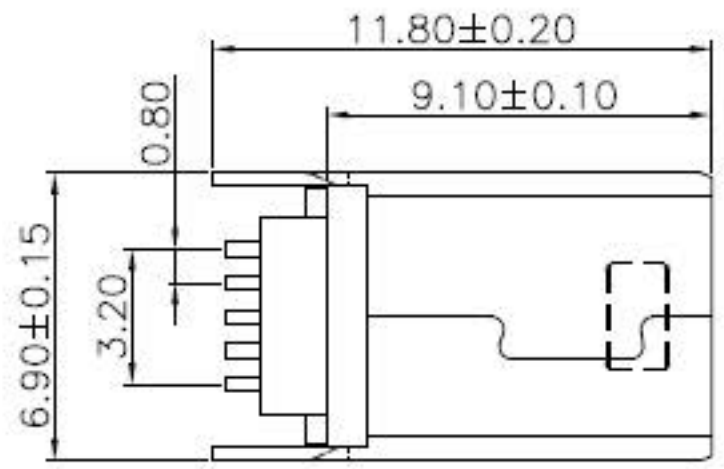


| REV. | DESCRIPTION | DRAWN         | CHECKED | APPROVED |
|------|-------------|---------------|---------|----------|
| A    | NEW RELEASE | YCH 01/10/13' |         |          |
|      |             |               |         |          |
|      |             |               |         |          |



NOTES:

1.SPECIFICATIONS

- .CURRENT RATING: 0.5A/pin Max.
- .VOLTAGE RATING: 30V(DC)
- .DIELECTRIC WITHSTANDING VOLTAGE: 100VAC 1 minute.
- .CONTACT RESISTANCE: 50mΩ Max.
- .INSULATION RESISTANCE: 100MΩ Min.
- .TEMPERATURE RANGE: -40°C--+105°C

2.MATERIALS

- .HOUSING: temperature plastic,UL94 V-0,Color of black.
- .SHELL: Copper alloy.
- .CONTACT: Copper alloy.

3.PRODUCT NUMBER CODE:

DS1104-04 - X X X - ELCH - 007

- Contact plating  
0: Selective gold flash
- Shell plating  
N: Full Nickel
- Color of housing  
B: BLACK

|                   |       |                          |        |  |    |        |   |  |
|-------------------|-------|--------------------------|--------|--|----|--------|---|--|
| GENERAL TOLERANCE |       | ANGLE TOLERANCE          |        | PROJECTION   |    | TITLE  | MINI USB 10 Positions<br>MALE SOLDER TYPE |  |
| X,                | ±0.60 | X,                       | ±5°    | UNITS  | mm |        |   |  |
| .X                | ±0.38 | .X                       | ±3°    | SHEET SIZE   | A4 | SERIES | DS1104-04 SERIES                          |  |
| .XX               | ±0.25 | .XX                      | ±2°    | <b>晨翔电子有限公司</b><br><b>CONNFLY CONNFLY ELECTRONIC CO. LTD</b> |    |        |   |  |
| DRAWING TYPE      |       | CUSTOMER                 |        |  |    |        |   |  |
| SCALE             | 1:1   | SHEET                    | 1 OF 1 |  |    |        |   |  |
| DRAWING NO.       |       | C-DS1104-04-XXX-ELCH-007 |        |  |    |        |   |  |