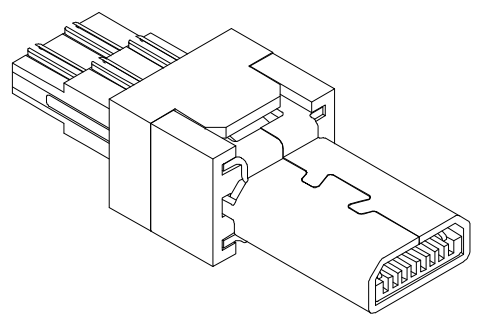
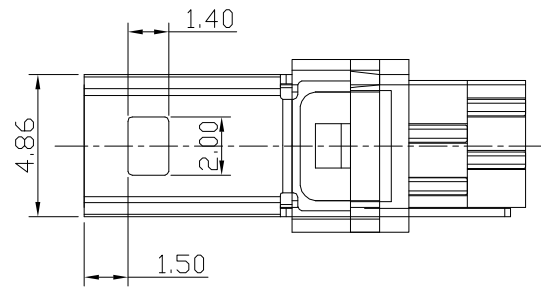
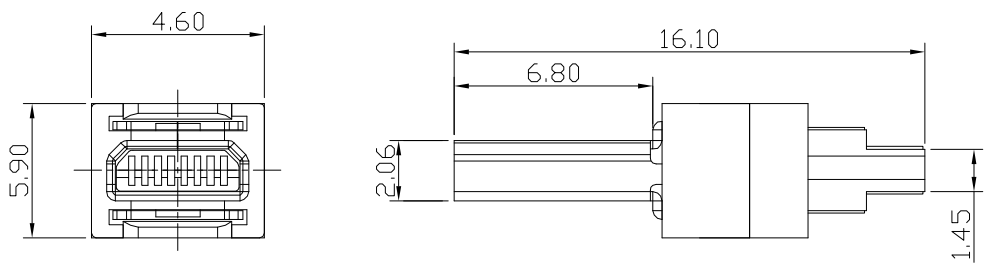


REV.	DESCRIPTION	DRAWN	CHECKED	APPROVED
A	NEW RELEASE	LJC 06/01/11'		



NOTES:

1.SPECIFICATIONS

- .CURRENT RATING: 0.5A/pin Max.
- .VOLTAGE RATING: 30V(DC)
- .DIELECTRIC WITHSTANDING VOLTAGE: 100VAC 1 minute.
- .CONTACT RESISTANCE: 50mΩ Max.
- .INSULATION RESISTANCE: 100MΩ Min.
- .TEMPERATURE RANGE: -40°C~+105°C

2.MATERIALS

- .HOUSING: temperature plastic,UL94 V-0,Color of black.
- .SHELL: Copper alloy.
- .CONTACT: Copper alloy.

3.PRODUCT NUMBER CODE:

DS1104-04 - X X X - ELCH - 005

- Contact plating
- 0: Selective gold flash
- Shell plating
- N: Full Nickel
- Color of housing
- B: BLACK

GENERAL TOLERANCE		ANGLE TOLERANCE		PROJECTION		TITLE	MINI USB 8 Positions MALE SOLDER TYPE		
X.	±0.60	X.	±5°	UNITS	mm	SERIES	DS1104-04 SERIES		
.X	±0.38	.X	±3°	SHEET SIZE	A4				
.XX	±0.25	.XX	±2°						
DRAWING TYPE		CUSTOMER			晨翔电子有限公司 CONNFLY CONNFLY ELECTRONIC CO. LTD				
SCALE	1:1	SHEET	1 OF 1						
DRAWING NO.	C-DS1104-04-XXX-ELCH-005								