

REV.	DESCRIPTION	DRAWN	CHECKED	APPROVED
A	NEW RELEASE	YCH 08/30/08'	~	

NOTES:

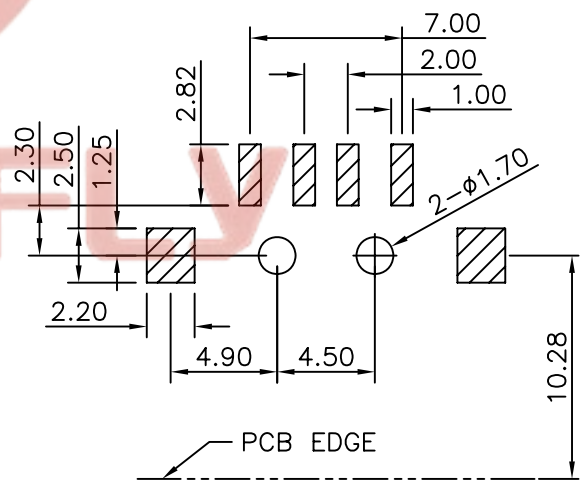
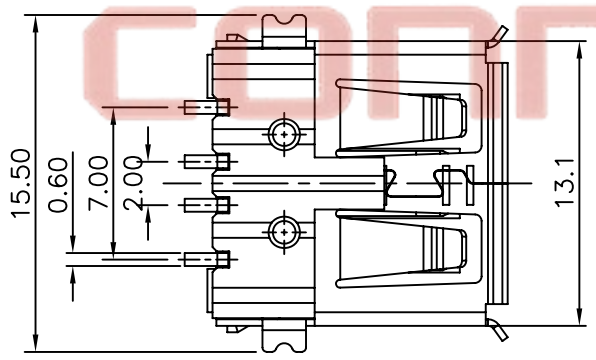
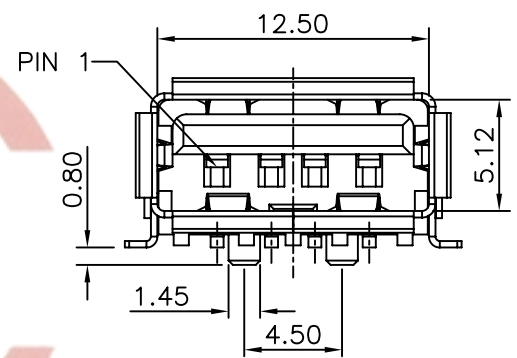
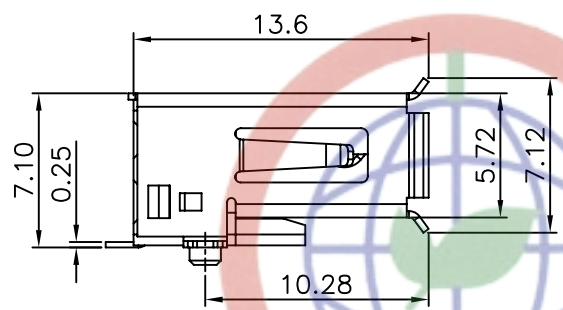
- SPECIFICATIONS:
 - CONTACT RESISTANCE: 30mΩ max.
 - INSULATOR RESISTANCE: 1000MΩ min.AT DC 500V.
 - CURRENT RATING: 1.5A.
 - VOLTAGE RATING: 30V AC/DC.
 - DIELECTRIC STRENGTH: AC 500V FOR 1 Minute.
 - TEMPERATURE RANGE: -45°C ~ +110°C.

- MATERIALS:
 - HOUSING: PBT+30% GLASS FIBER(UL 94-0).
 - CONTACT: COPPER ALLOY
 - SHELL: COPPER ALLOY.

3. PRODUCT NUMBER CODE:

DS1095-02-X X X X

- CONTACT PLATING
 - 0: Selective gold flash
 - 03: Selective gold 3u"
 - 30: Selective gold 30u"
- MOUNTING TYPE
 - M: SMT
- SHELL PLATING:
 - N: Nickel
 - 6: Tin
- COLOR OF HOUSING:
 - W: White
 - B: Black
- SERIES No.
DS1095-02



RECOMMEND PCB LAYOUT
(TOLERANCE=±0.05)

Tel: 86-574-63508787
Fax: 86-574-63510817

GENERAL TOLERANCE		ANGLE TOLERANCE		PROJECTION	TITLE	USB FEMALE A TYPE SMT SERIES	
X.	±0.60	X.	±5°	mm		SHEET SIZE	A4
.X	±0.38	.X	±3°				
.XX	±0.25	.XX	±2°				
DRAWING TYPE		CUSTOMER		晨翔电子有限公司 CONNFLY CONNFLY ELECTRONIC CO. LTD			
SCALE		1:1					
DRAWING NO.		C-DS1095-02-XXMX					

E-mail: sales@zhennan.com.cn
Http://www.zhennan.com.cn
Add: West Gaoqiao Town Cixi Ningbo China
P.C:315321