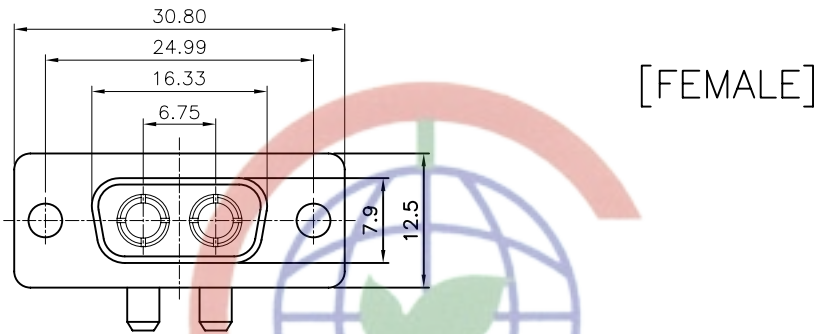
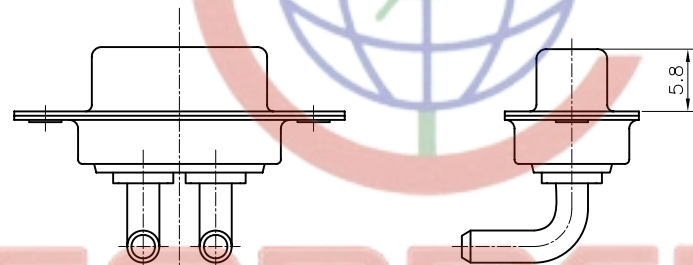


REV.	DESCRIPTION	DRAWN	CHECKED	APPROVED
A	NEW RELEASE	YCH 01/10/08'	~	

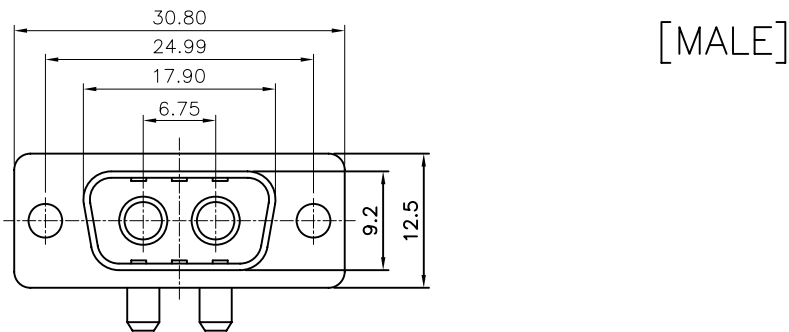
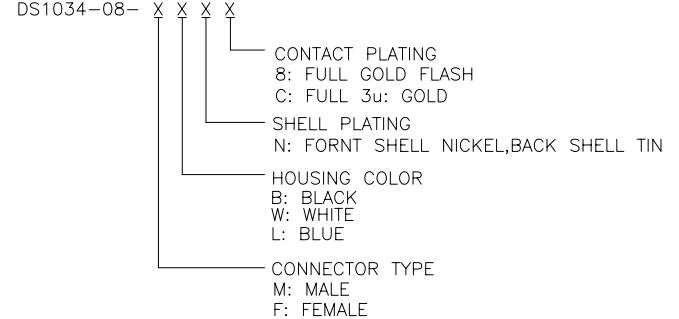


[FEMALE]

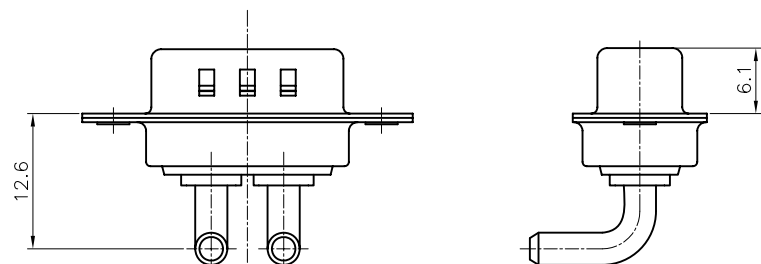


NOTES:

- ELECTRICAL CHARACTERISTICS:
 - CONTACT RESISTANCE: 20mΩ Max. INITIAL.
 - DIELECTRIC WITHSTANDING VOLTAGE: 500V AC(rms)FOR 1 MINUTE.
 - INSULATION RESISTANCE: 1000MΩ Min.
 - CURRENT RATING: 40A.
 - VOLTAGE RATING: 300V.
- ENVIRONMENT CHARACTERISTICS:
 - TEMPERATURE RANGE: -40° C ~ +105° C.
- MECHANICAL CHARACTERISTICS:
 - DURABILITY: 500 CYCLES.
 - CONTACT RETENTION FORCE: 1Kgf MINIMUM.
- MATERIALS:
 - SHELL: SPCC.
 - CONTACT: COPPER ALLOY.
 - INSULATOR: THERMOPLASTIC UL 94V-0, GLASS FIBER FILLED.
- PART NUMBER CODE:



[MALE]



Tel:86-574-63508787
 Fax:86-574-63510817
 E-mail:sale@zhenqin.com.cn
 Http://www.connfly.com

GENERAL TOLERANCE	ANGLE TOLERANCE	PROJECTION	TITLE	MACHINE PIN D-SUB 2P
X. ±0.60	X. ±5°	UNITS mm	R/A TYPE	
.X ±0.38	.X ±3°	SHEET SIZE A4	SERIES DS1034-08 SERIES	
.XX ±0.25	.XX ±2°			
DRAWING TYPE	CUSTOMER	晨翔电子有限公司 CONNFLY CONNFLY ELECTRONIC CO. LTD		
SCALE	1:1 SHEET 1 OF 1			
DRAWING NO.	C-DS1034-08-XXXX-A			