

REV.	DESCRIPTION	DRAWN	CHECKED	APPROVED
A	NEW RELEASE	LJC 01/17/09'	~	

NOTES:

- ELECTRICAL CHARACTERISTICS:
 - CONTACT RESISTANCE: 20mΩ Max. INITIAL.
 - DIELECTRIC WITHSTANDING VOLTAGE: 500V AC(rms)FOR 1 MINUTE.
 - INSULATION RESISTANCE: 1000MΩ Min.
 - CURRENT RATING: 40A.
 - VOLTAGE RATING: 300V
- ENVIRONMENT CHARACTERISTICS:
 - TEMPERATURE RANGE: -40° C ~ +105° C.
- MECHANICAL CHARACTERISTICS:
 - DURABILITY: 500 CYCLES.
 - CONTACT RETENTION FORCE: 1Kgf MINIMUM.
- MATERIALS:
 - SHELL: SPCC.
 - CONTACT: COPPER ALLOY.
 - INSULATOR: THERMOPLASTIC UL 94V-0, GLASS FIBER FILLED.
- PART NUMBER CODE:

DS1033-07- X X X X X

└ CURRENT RATING

- 1: 10A
- 2: 20A
- 3: 30A
- 4: 40A

└ CONTACT PLATING

- 8: FULL GOLD FLASH
- C: FULL 3u: GOLD

└ SHELL PLATING

N: FORNT SHELL NICKEL, BACK SHELL TIN

└ HOUSING COLOR

- B: BLACK
- W: WHITE
- L: BLUE

└ CONNECTOR TYPE

- M: MALE
- F: FEMALE

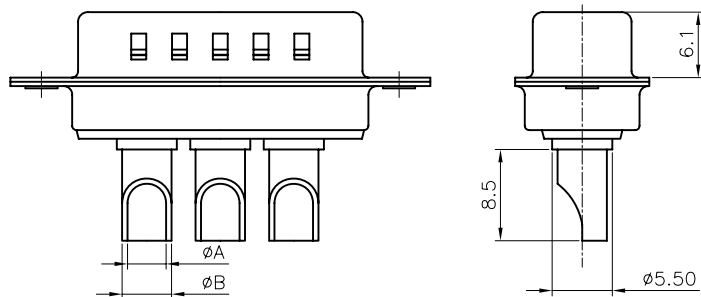
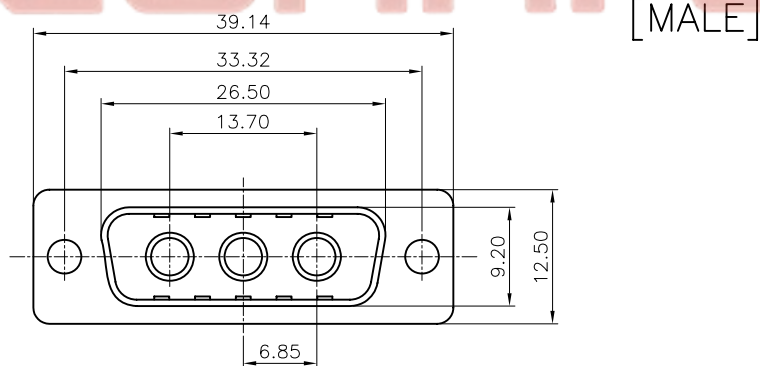
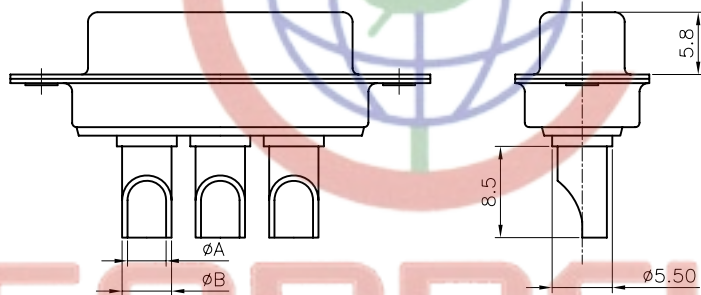
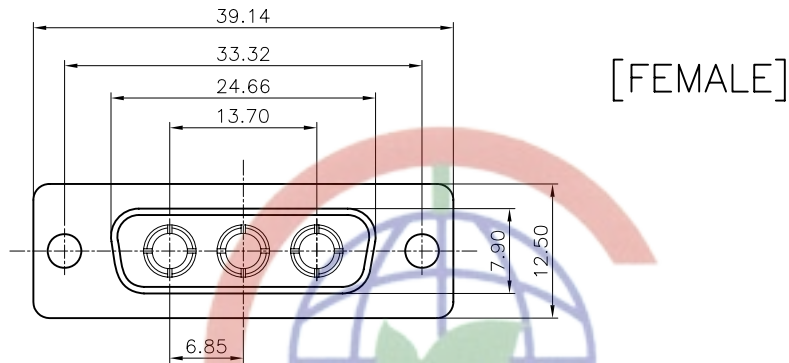
TYPE	CURRENT RATING	φA	φB
1	10A	φ1.7	φ2.5
2	20A	φ2.7	φ3.6
3	30A	φ3.6	φ4.5
4	40A	φ4.6	φ5.5

Tel: 86-574-635087

Fax: 86-574-635103

E-mail: sale@zhenqin.com.cn

Http://www.connfly.com



GENERAL TOLERANCE		ANGLE TOLERANCE	
X.	±0.60	X.	±5°
.X	±0.38	.X	±3°
.XX	±0.25	.XX	±2°

PROJECTION	TITLE	MACHINE PIN D-SUB 3P SOLDER TYPE	
mm		SHEET SIZE	DS1033-07 SERIES

DRAWING TYPE	CUSTOMER		
SCALE	1:1	SHEET	1 OF 1
DRAWING NO.	C-DS1033-07-XXXX-A		



晨翔电子有限公司

CONNFLY CONNFLY ELECTRONIC CO. LTD