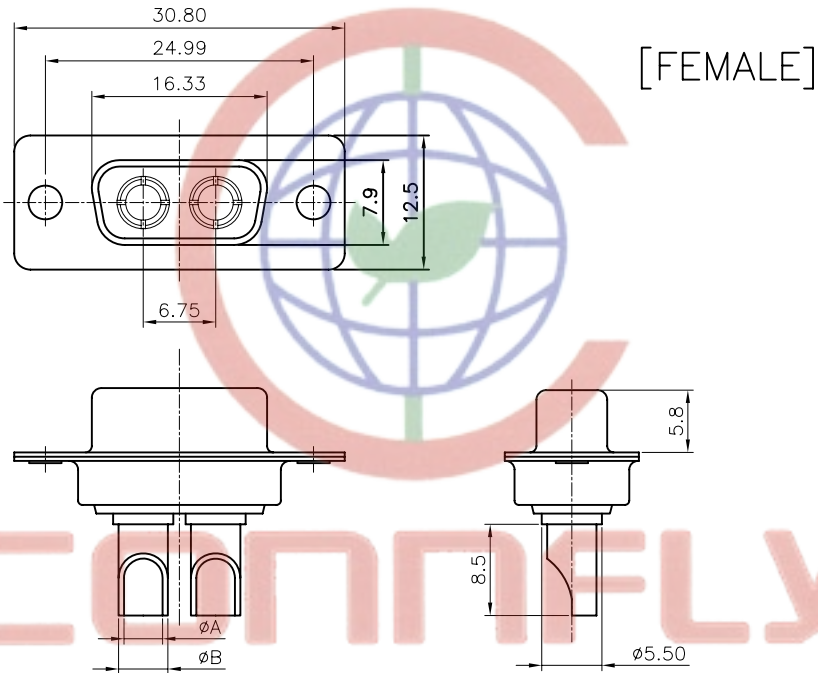


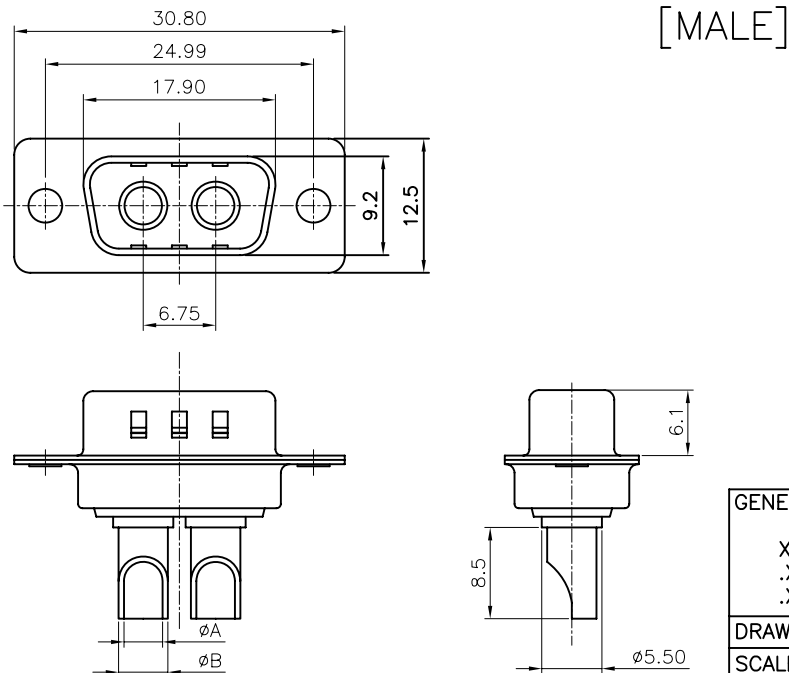
REV.	DESCRIPTION	DRAWN	CHECKED	APPROVED
A	NEW RELEASE	YCH 01/10/08'	~	




NOTES:

- ELECTRICAL CHARACTERISTICS:
 - CONTACT RESISTANCE: 20mΩ Max. INITIAL.
 - DIELECTRIC WITHSTANDING VOLTAGE: 500V AC(rms)FOR 1 MINUTE.
 - INSULATION RESISTANCE: 1000MΩ Min.
 - CURRENT RATING: 40A.
 - VOLTAGE RATING: 300V.
- ENVIRONMENT CHARACTERISTICS:
 - TEMPERATURE RANGE: -45° C ~ +110° C.
- MECHANICAL CHARACTERISTICS:
 - DURABILITY: 500 CYCLES.
 - CONTACT RETENTION FORCE: 1Kgf MINIMUM.
- MATERIALS:
 - SHELL: SPCC.
 - CONTACT: COPPER ALLOY.
 - INSULATOR: THERMOPLASTIC UL 94V-0, GLASS FIBER FILLED.
- PART NUMBER CODE:

- DS1033-05- X X X X X
- CURRENT RATING
 - 1: 10A
 - 2: 20A
 - 3: 30A
 - 4: 40A
 - CONTACT PLATING
 - 8: FULL GOLD FLASH
 - C: FULL 3u: GOLD
 - SHELL PLATING
 - N: FRONT SHELL NICKEL, BACK SHELL TIN
 - HOUSING COLOR
 - B: BLACK
 - W: WHITE
 - L: BLUE
 - CONNECTOR TYPE
 - M: MALE
 - F: FEMALE



TYPE	CURRENT RATING	ϕA	ϕB
1	10A	$\phi 1.7$	$\phi 2.5$
2	20A	$\phi 2.7$	$\phi 3.6$
3	30A	$\phi 3.6$	$\phi 4.5$
4	40A	$\phi 4.6$	$\phi 5.5$

GENERAL TOLERANCE	ANGLE TOLERANCE	PROJECTION	TITLE	MACHINE PIN D-SUB 2P
X. ± 0.60	X. $\pm 5^\circ$	mm		SOLDER TYPE
.X ± 0.38	.X $\pm 3^\circ$	A4	SERIES	DS1033-05 SERIES
.XX ± 0.25	.XX $\pm 2^\circ$			
DRAWING TYPE	CUSTOMER	 晨翔电子有限公司 CONNFLY CONNFLY ELECTRONIC CO. LTD		
SCALE	1:1 SHEET 1 OF 1			
DRAWING NO.	C-DS1033-05-XXXX-A			

Tel: 86-574-63508787
 Fax: 86-574-63510817
 E-mail: sale@zhenqin.com.cn
 Http://www.connfly.com