

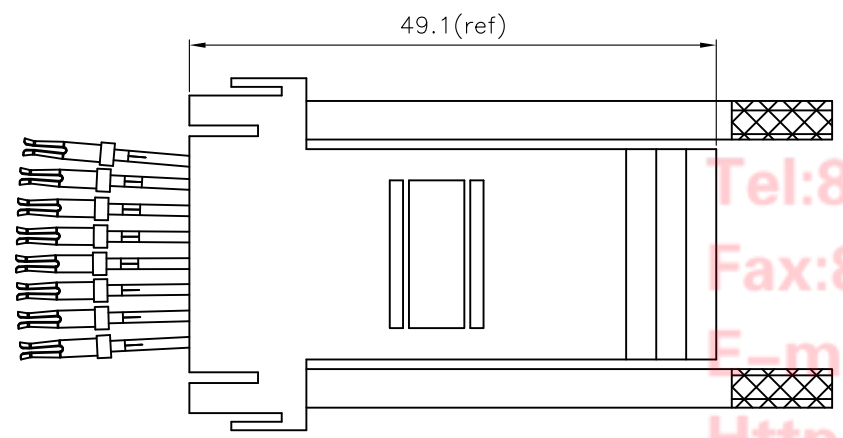
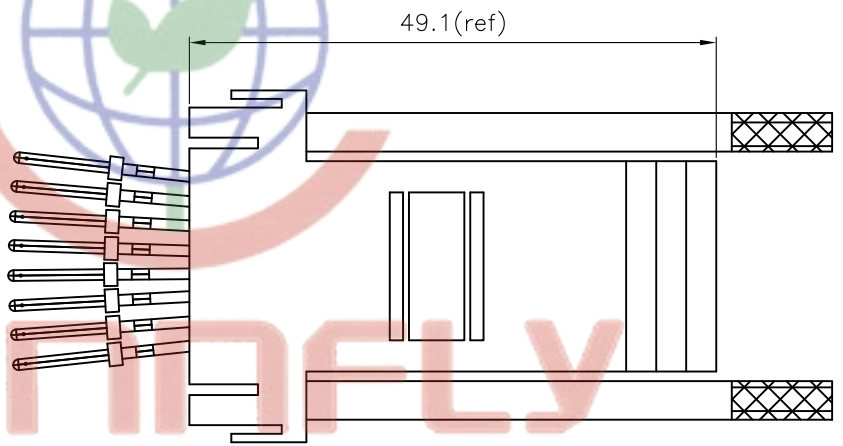
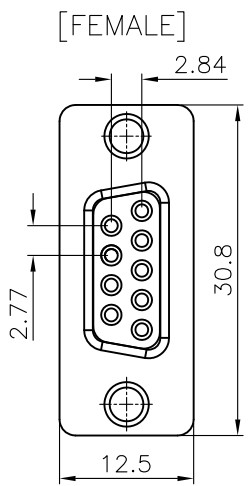
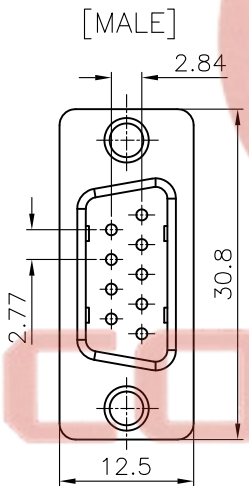
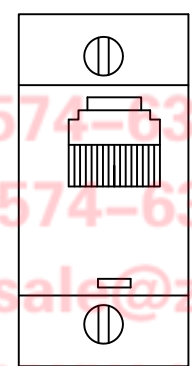
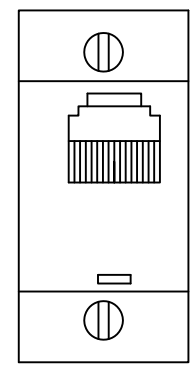
REV.	DESCRIPTION	DRAWN	CHECKED	APPROVED
A	NEW RELEASE	YCH 02/23/08'	~	

NOTES:

- HOODS MATERIAL:ABS
- PART NUMBER CODE:

DS1055- X X X X X X

- Bolt type
- L: Long
- Contact plating
- 0: (D-SUB Selective gold flash
- RJ45 Full gold flash)
- Cover color
- V: Ivory
- B: Black
- A: Gray
- Position
- 8: 8p8c
- 4: 4p4c
- Connector type
- M: Male
- F: Female
- No. of contact
- 09: 9pos.
- 15: 15pos.
- 25: 25pos.
- 37: 37pos.



GENERAL TOLERANCE		ANGLE TOLERANCE		PROJECTION	TITLE	D-SUB CRIMP TYPE AND PCB JACK	
X.	±0.60	X.	±5°	mm		UNITS	
.X	±0.38	.X	±3°	A4	SHEET SIZE	SERIES	DS1055 SERIES
.XX	±0.25	.XX	±2°	<b>晨翔电子有限公司</b> <b>CONNFLY CONNFLY ELECTRONIC CO. LTD</b>			
DRAWING TYPE		CUSTOMER					
SCALE	1:1	SHEET	1 OF 1				
DRAWING NO.		C-DS1055-XXXXXXX					

Tel:86-574-63508787  
 Fax:86-574-63510817  
 E-mail:sales@zhenqin.com.cn  
 Http://www.connfly.com