

REV.	DESCRIPTION	DRAWN	CHECKED	APPROVED
A	NEW RELEASE	YCH 12/14/11'	~	

NOTES:

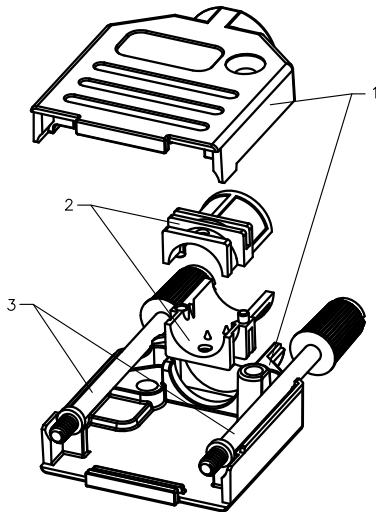
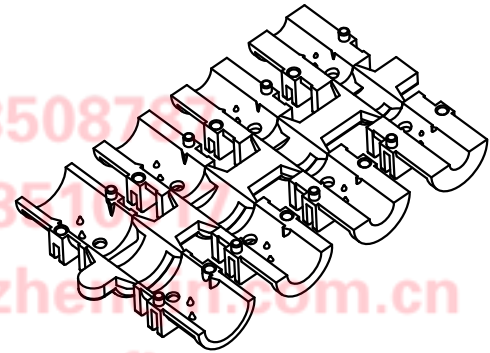
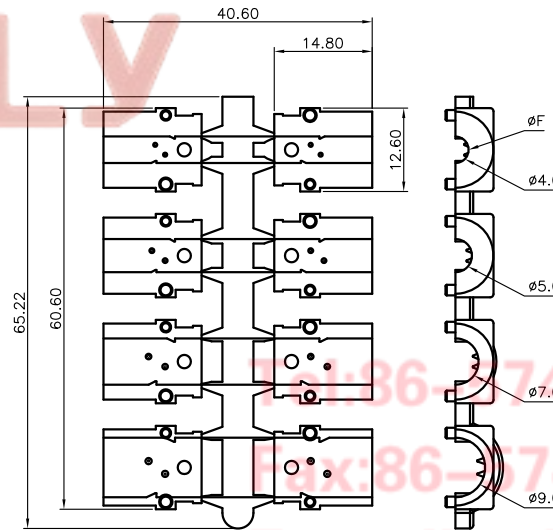
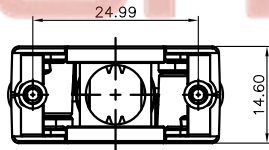
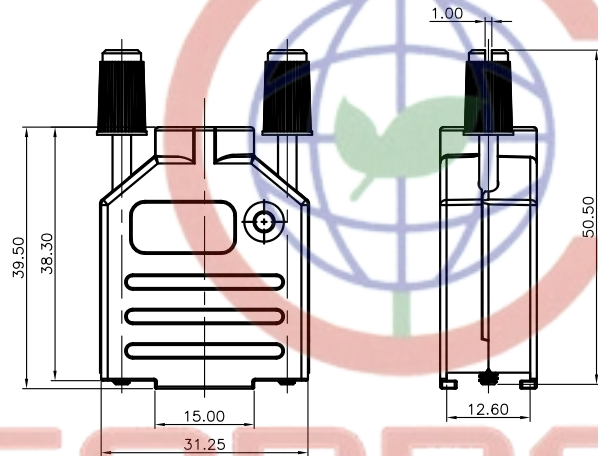
1. METAL HOOD MATERIAL: Znic alloy

2. PART NUMBER CODE:


DS1049 - 09 X X

- X — Packing type
1: Mix packing
- X — Cover Material
M: Metal(Znic alloy)
- 09 — Positions
09: 9pin

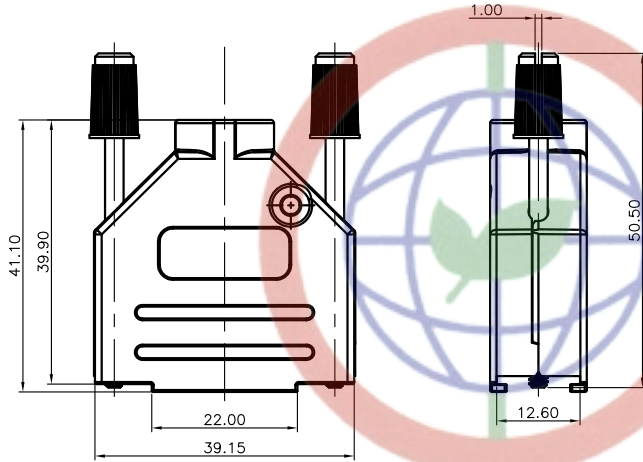
BOM LIST			
ITEM	PART NAME	Q'ty	NOTES
1	UP METAL HOOD	2	Znic alloy
2	SR	2	
3	LONG BOLT	2	UNC 4-40



GENERAL TOLERANCE		ANGLE TOLERANCE		PROJECTION	TITLE
X.	±0.60	X.	±5°	mm	D-SUB 9pin Metal Hoods
.X	±0.38	.X	±3°	A4	SERIES DS1049 SERIES
.XX	±0.25	.XX	±2°		
DRAWING TYPE	COSTOMER				
SCALE	1:1	SHEET	1 OF 1		
DRAWING NO.	C-DS1049-09XX-A				


晨翔电子有限公司
CONNFLY CONNFLY ELECTRONIC CO. LTD

REV.	DESCRIPTION	DRAWN	CHECKED	APPROVED
A	NEW RELEASE	YCH 12/14/11'	~	



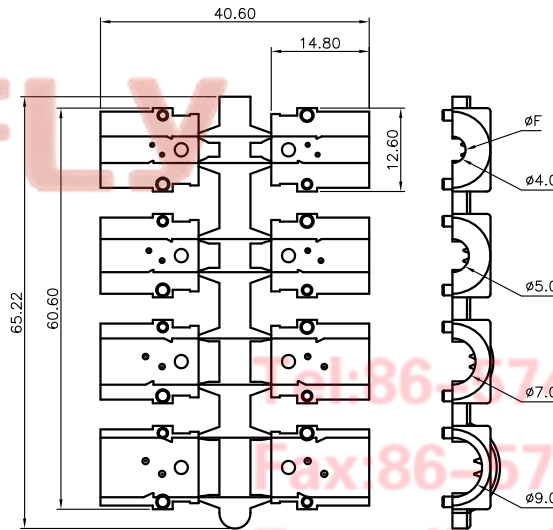
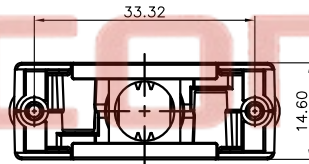
BOM LIST			
ITEM	PART NAME	Q'ty	NOTES
1	UP METAL HOOD	2	Znic alloy
2	SR	2	
3	LONG BOLT	2	UNC 4-40

NOTES:

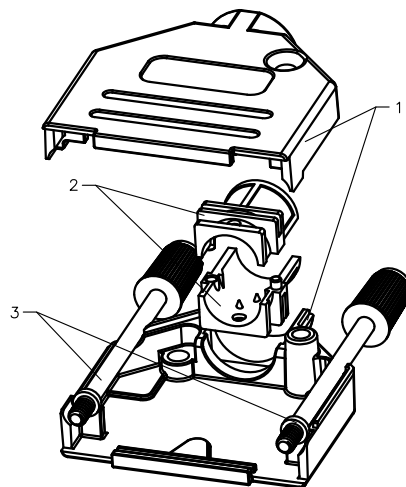
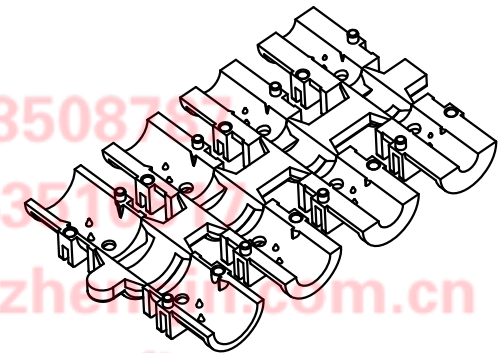
1. METAL HOOD MATERIAL: Znic alloy

2. PART NUMBER CODE:

DS1049 - 15 X X
 X: Packing type
 1: Mix packing
 M: Cover Material
 M: Metal(Znic alloy)
 15: Positions
 15: 15pin

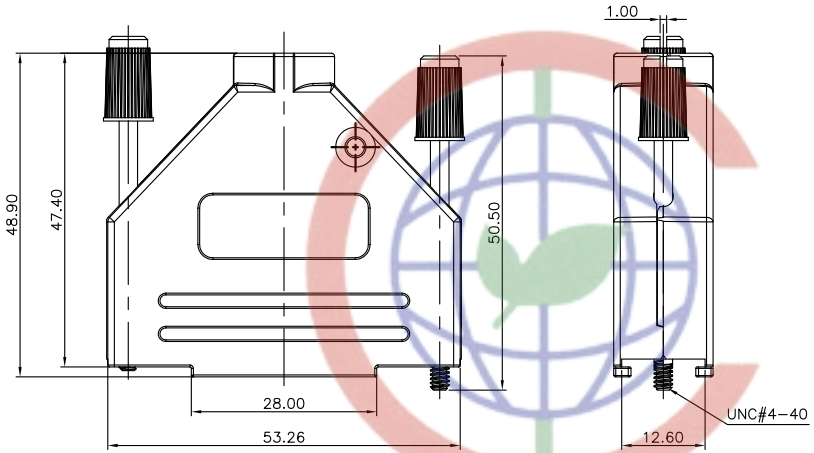


øF
ø4.0
ø5.0
ø7.0
ø9.0



GENERAL TOLERANCE		ANGLE TOLERANCE		PROJECTION	TITLE
X.	±0.60	X.	±5°	mm	D-SUB 15pin Metal Hoods
.X	±0.38	.X	±3°	A4	SERIES DS1049 SERIES
.XX	±0.25	.XX	±2°		
DRAWING TYPE		COSTOMER		晨翔电子有限公司 CONNFLY CONNFLY ELECTRONIC CO. LTD	
SCALE		1:1 SHEET 1 OF 1			
DRAWING NO.		C-DS1049-15XX-A			

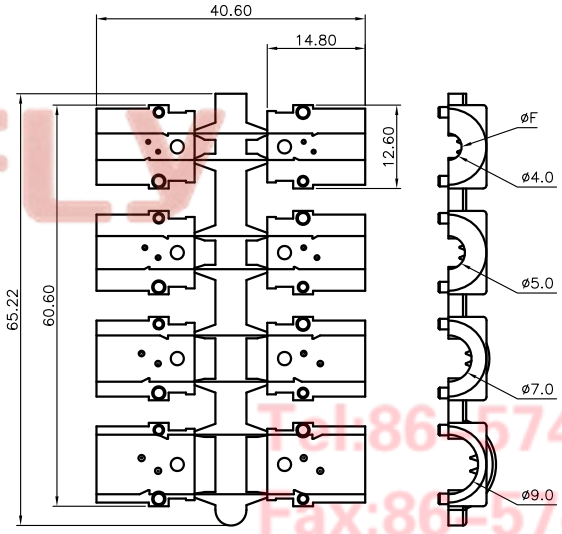
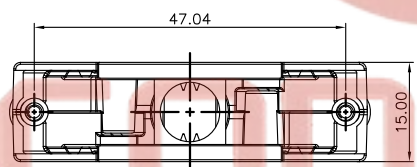
REV.	DESCRIPTION	DRAWN	CHECKED	APPROVED
A	NEW RELEASE	YCH 12/14/11'	~	



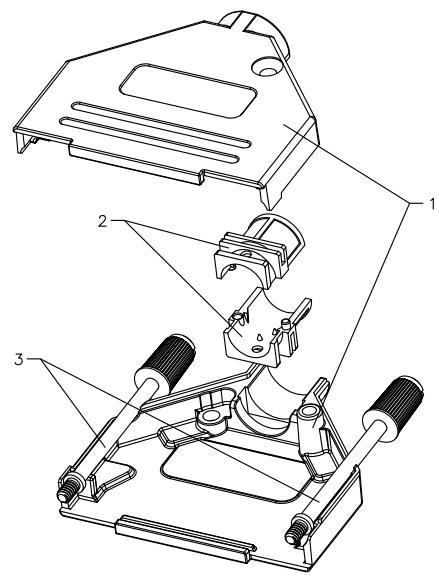
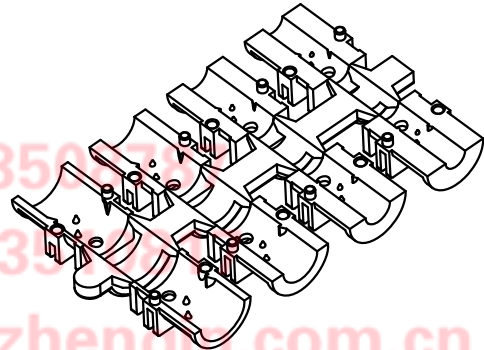
BOM LIST			
ITEM	PART NAME	Q'ty	NOTES
1	UP METAL HOOD	2	Znic alloy
2	SR	2	
3	LONG BOLT	2	UNC 4-40

NOTES:

- METAL HOOD MATERIAL: Znic alloy
- PART NUMBER CODE:
DS1049 - 25 X X
 - X: Packing type
1: Mix packing
 - M: Cover Material
M: Metal(Znic alloy)
 - 25: Positions
25: 25pin



ϕF
$\phi 4.0$
$\phi 5.0$
$\phi 7.0$
$\phi 9.0$



GENERAL TOLERANCE		ANGLE TOLERANCE		PROJECTION	TITLE
X.	± 0.60	X.	$\pm 5^\circ$		D-SUB 25pin Metal Hoods
.X	± 0.38	.X	$\pm 3^\circ$	mm	SERIES DS1049 SERIES
.XX	± 0.25	.XX	$\pm 2^\circ$	A4	
DRAWING TYPE		COSTOMER		晨翔电子有限公司	
SCALE		1:1		SHEET 1 OF 1	
DRAWING NO.		C-DS1049-25XX-A		CONNFLY CONNFLY ELECTRONIC CO. LTD	

Tel: 86-574-6350333
 Fax: 86-574-6350333
 E-mail: sale@zhenqi.com.cn
 Http://www.connfly.com



晨翔电子有限公司
 CONNFLY CONNFLY ELECTRONIC CO. LTD