

REV.	DESCRIPTION	DRAWN	CHECKED	APPROVED
A	NEW RELEASE	YCH 03/15/10'	~	

Dimension

Position	A±0.2	B±0.2	C±0.3	D
9	17.90	24.99	30.80	16.33
15	26.50	33.32	39.14	24.66
25	40.00	47.04	53.04	38.38
37	56.50	63.50	69.32	54.84

NOTES:

1. ELECTRICAL CHARACTERISTICS:

- 1.1 CONTACT RESISTANCE: 20mΩ Max. INITIAL.
- 1.2 DIELECTRIC WITHSTANDING VOLTAGE: 500V AC(rms) FOR 1 MINUTE.
- 1.3 INSULATION RESISTANCE: 1000MΩ Min.

2. ENVIRONMENT CHARACTERISTICS:

TEMPERATURE RANGE: -40°C~+105°C.

3. PART NUMBER: DS1033-11

4. PRODUCT NUMBER CODE:

DS1033-11 X X X X X X X

- SCREW DIM. A
- S: Standard(W/O nut)
 - 1: 5.00
 - 2: 3.00
 - 3: 5.20
 - 4: 4.80
 - 5: 5.80
 - 6: 4.00

- SCREW TYPE
- S: Standard(W/O nut)
 - 1: CC TYPE
 - 2: CS TYPE

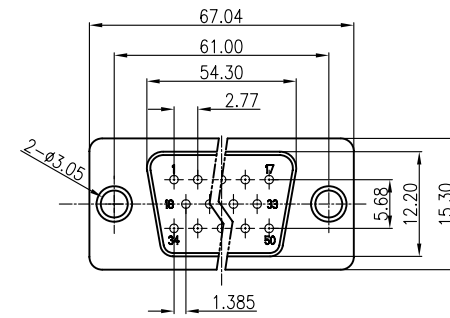
- CONTACT PLATING
- 8: FULL GOLD FLASH
 - C: FULL 3u" GOLD
 - J: Full 5u" GOLD

- SHELL PLATING
- T: FRONT & BACK SHELL Tin
 - N: FRONT SHELL Nickel, BACK SHELL Tin

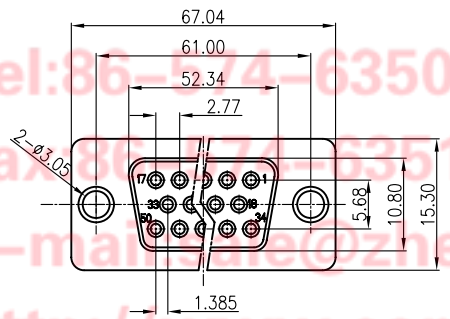
- HOUSING COLOR
- B: BLACK
 - W: WHITE
 - U: BLUE

- CONNECTOR TYPE
- M: Male
 - F: Female

- No.OF CONTACTS
- 09: 9pos.
 - 15: 15pos.
 - 25: 25pos.
 - 37: 37pos.
 - 50: 50pos.



50pin Male Figure



50pin Female Figure

GENERAL TOLERANCE	ANGLE TOLERANCE	PROJECTION	TITLE
X. ±0.60	X. ±5°	UNITS mm	D-SUB SOLDER (MACHINE PIN)TYPE
.X ±0.38	.X ±3°	SHEET SIZE A4	SERIES DS1033-11 SERIES
.XX ±0.25	.XX ±2°		
DRAWING TYPE	CUSTOMER	晨翔电子有限公司 CONNFLY CONNFLY ELECTRONIC CO. LTD	
SCALE	1:1 SHEET 1 OF 1		
DRAWING NO.	C-DS1033-11-XXXXXX		

Tel:86-574-63508787
 Fax:86-574-63510817
 E-mail:connfly@zhenqin.com
 Http://www.connfly.com