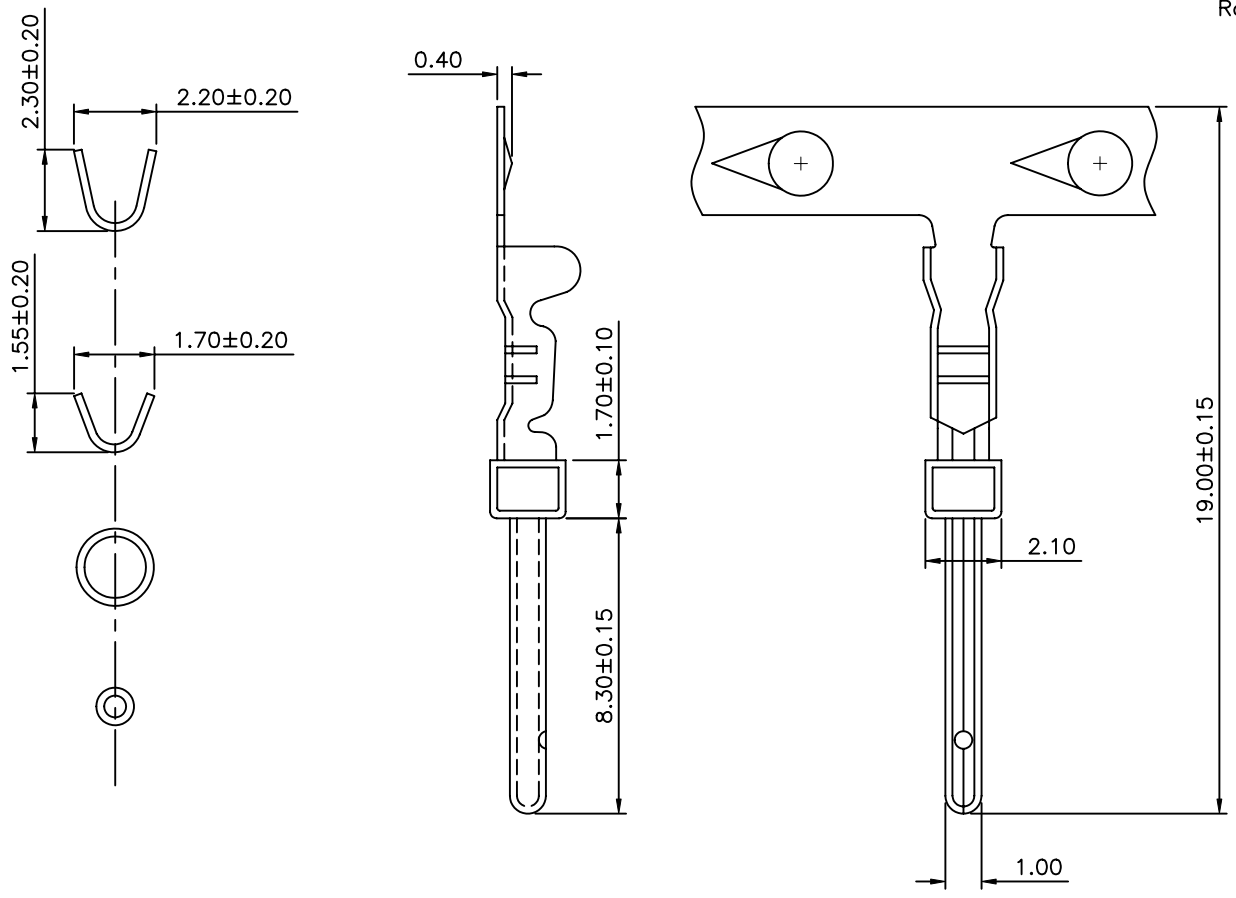


SPECIFICATION
 Material: Brass
 Finish: Gold Flash On Contact Area
 Underplated Nickel
 Applicable Wire Range: AWG #26-28
 Q'ty: 10K/Reel
 RoHS Compliant



AUK A MEMBER OF AUK GROUP
太聯事業股份有限公司
AUK CONTRACTORS CO., LTD.

CATEGORY		APPROVED BY		UNLESS OTHERWISE SPECIFIED TOLERANCES ARE .X ± 0.2 .XX ± 0.10 .XXX ± 0.05 ANG. $\pm 1^\circ$				
PART No. DCM-H		CHECKED BY HZF						
DRAWING No. DCM-H		DRAWING BY LXX						
SCALE	NONE	REV.	BO	UNIT mm			BO NEW RELEASE	HZF 12/15/2009
						NO. REV.	REVISIONS	CHK DATE