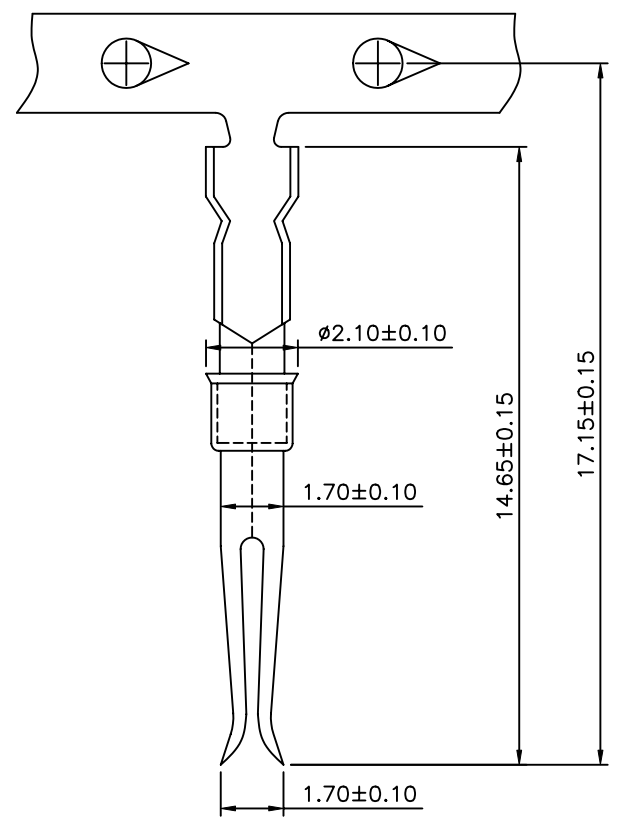
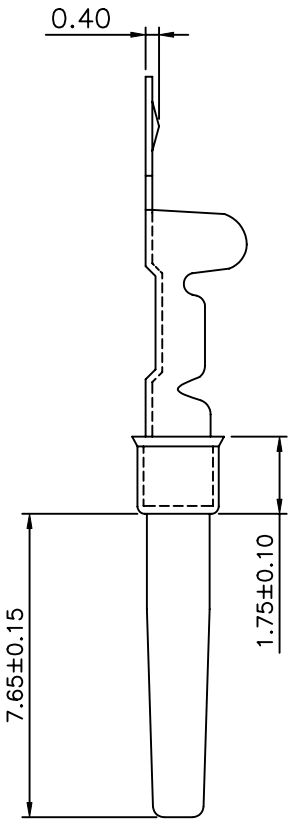
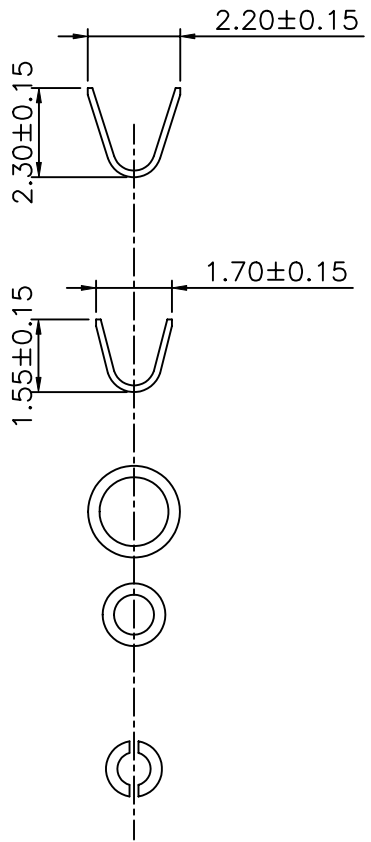


**SPECIFICATION**  
 Material: Brass  
 Finish: Gold Flash On Contact Area  
 Underplated Nickel  
 Applicable Wire Range: AWG #26-28  
 Q'ty: 10K/Reel  
 RoHS Compliant



**AUK** A MEMBER OF AUK GROUP  
**太聯事業股份有限公司**  
**AUK CONTRACTORS CO., LTD.**

CATEGORY		APPROVED BY		UNLESS OTHERWISE SPECIFIED TOLERANCES ARE .X ±0.2 .XX ±0.10 .XXX ±0.05 ANG. ±1°					
PART No. DCF-H		MEI							
DRAWING No. DCF-H		CHECKED BY HZF							
		DRAWING BY LXX							
SCALE	NONE	REV.	BO	UNIT mm	⊕	△ BO	NEW RELEASE	HZF	12/15/2009
						NO. REV.	REVISIONS	CHK	DATE