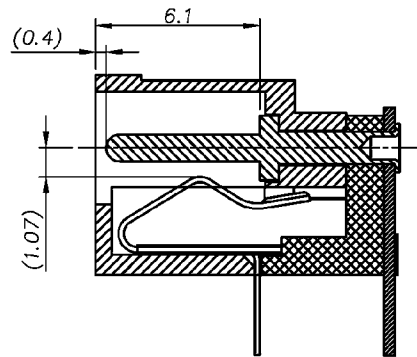
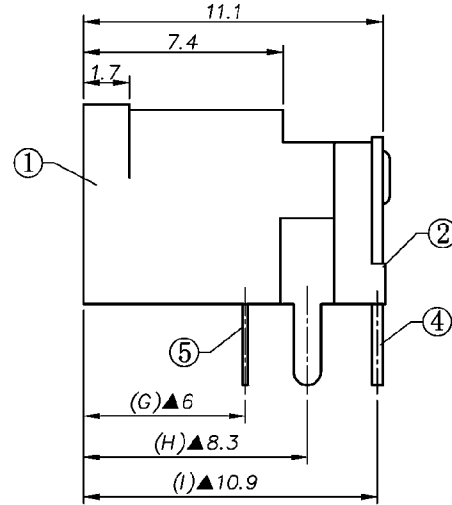
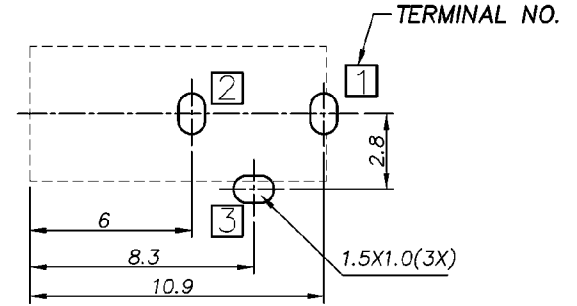


DC MATE PLUG

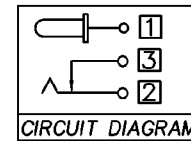


SECTION A-A



RECOMMENDED P. C. B. LAYOUT
 UNSPECIFIED TOLERANCE: ± 0.05
 (BOTTOM VIEW)

Model No.	DS-313B	DS-313A
PIN	$\phi 1.0$	$\phi 1.3$
DC PLUG O.D.	$\phi 3.5$	$\phi 3.5$



□ : TERMINAL NO.