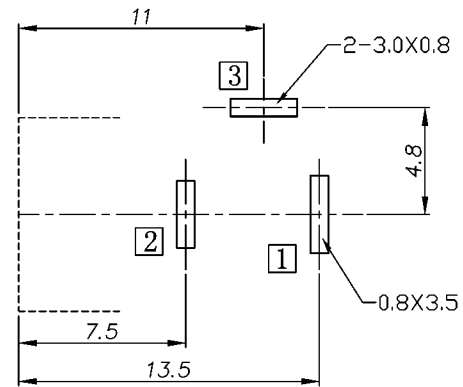
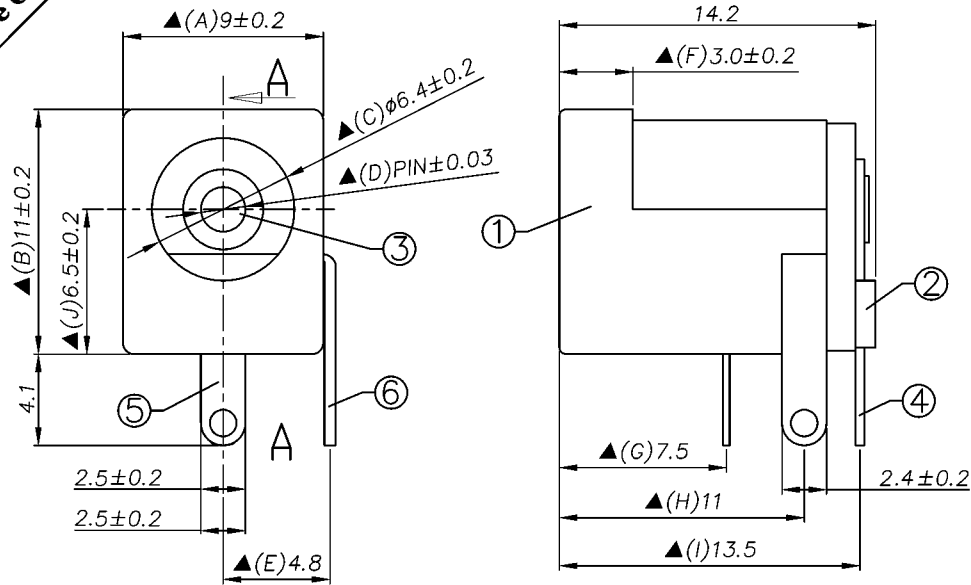
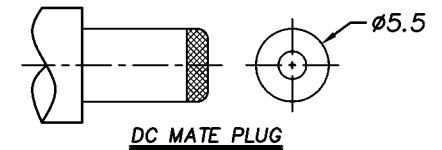


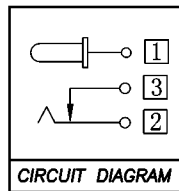
**RoHS
Compliant
Drawing For
Reference Only**



P. C. B Layout
(Copper-sided view)

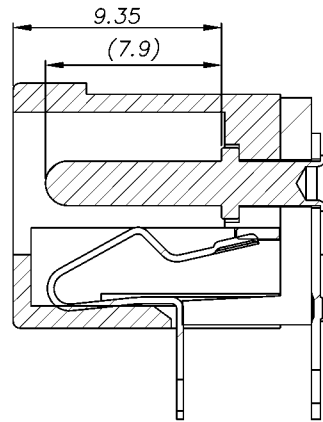


MODEL NO.	PIN
DS-210B(PBT)(NB)	φ2.0
DS-210A(PBT)(NB)	φ2.5



CIRCUIT DIAGRAM

□ : TERMINAL NO.



SEC:A-A

SPECIFICATION

1. Rating : DC 20V 4A;
2. Contact resistance: $\leq 30m\Omega$;
3. Insulation resistance: $\geq 100M\Omega$ (DC500V);
4. Withstand voltage: 500VAC ;
5. Insertion and extraction force: 3-30N;
6. life test: 5,000 cycles;
7. Operation temperature range: $-20^{\circ}C \sim 70^{\circ}C$;
8. Preservative temperature range: $-40^{\circ}C \sim 85^{\circ}C$;
9. Sign "▲" "is importance dimension.

Technical requirement :

1. This product should meet EU RoHS related requirement.
2. The surface of plastic part should be without any crackle such as burr,lack,and so on phenomenon.
3. The surface of metal part should be without any defect such as scaur,nick,oxidation and plating problem.
4. The electronic performance should be the same as spec.
5. The un-specified tolerance is : $<6\pm 0.1$
 $6 \sim 20 \pm 0.2$
 $>20 \pm 0.3$

⑥	Shunt terminal	③	1	Brass t=0.5	Tin plating
⑤	Tip spring	②	1	Phosphor bronze t=0.30	Tin plating
④	Center pin terminal	①	1	Brass t=0.40	Tin plating
③	Center pin	①	1	Brass	CuSn/Nickel plating
②	Cover		1	PBT	
①	Housing		1	PBT	
NO.	DESCRIPTION		QTY	MATERIAL	REMARK

DCI DRAGON CITY INDUSTRIES LIMITED

Design	K.W Law	Remark	Scale	
Drawing	W.K Yeung	Remark	Material	
Check	K.L Wong	Remark	Drawing No.	A20918-1525
Approval	K.W Chan	Remark	Sheet	

Item Name DC POWER JACK

Item No. DS-210(PBT)(NB)

Tolerance :

Unit : mm

Design

Drawing

Check

Approval

K.W Law

W.K Yeung

K.L Wong

K.W Chan

Remark

Remark

Remark

Remark

Scale

Material

Drawing No.

Sheet

A20918-1525