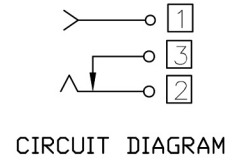
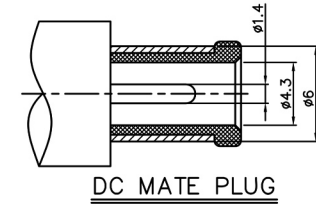
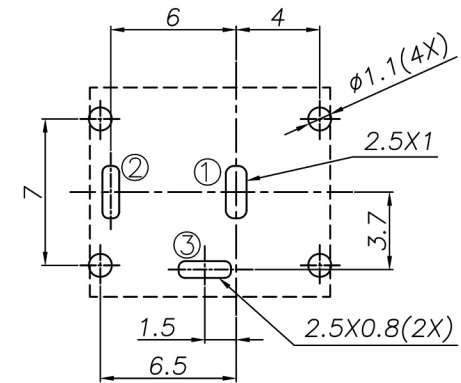
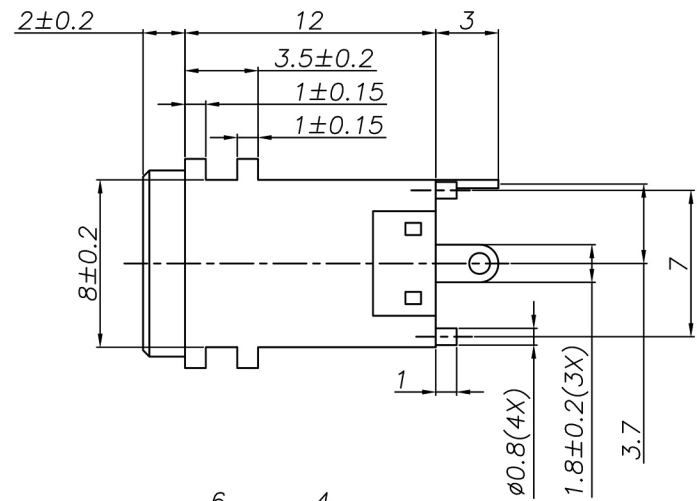
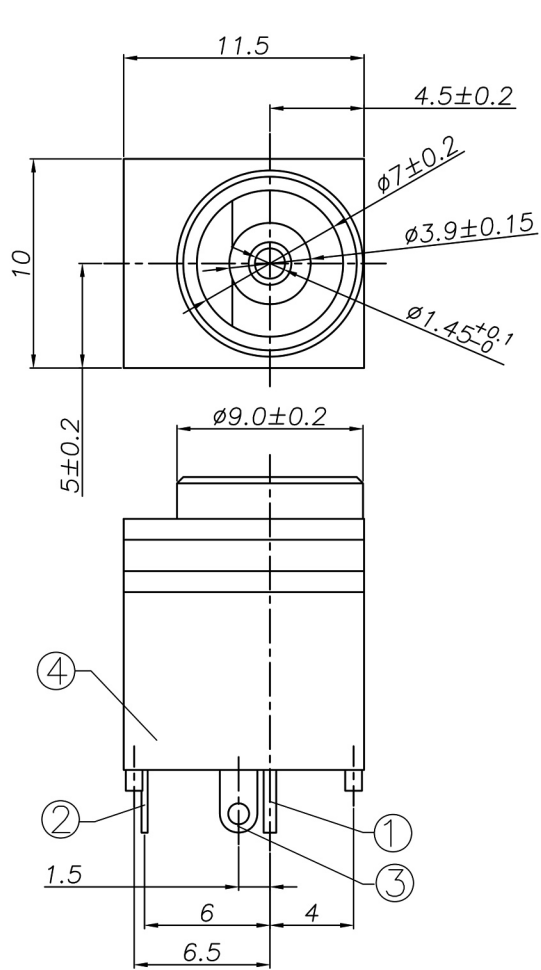


**RoHS
Compliant
Drawing For
Reference Only**



SPECIFICATION

1. Rating : DC 30V 0.5A;
2. Contact resistance: $\leq 30m\Omega$;
3. Insulation resistance: $\geq 100M\Omega$ (DC250V);
4. Withstand voltage: 500VAC ;
5. Insertion and extraction force: 3-30N;
6. life test: 5000 cycles.

Technical requirement :

1. This product should meet EU RoHS related requirement.
2. The surface of plastic part should be without any crackle such as burr,lack,and so on phenomenon.
3. The surface of metal part should be without any defect such as scaur,nick,oxidation and plating problem.
4. The electronic performance should be the same as spec.

④	HOUSING	1	PA-66 (Black)	
③	TERMINAL	1	BRASS	Ag-Plated
②	TERMINAL	1	PHOSPHOR BRONZE	Ag-Plated
①	TERMINAL	1	BRASS	Ag-Plated
UNSPECIFIED TOLERANCE	No.	PART NAME	QTY	MATERIAL (THICK, COLOR)
ANGULAR		$\pm 5^\circ$		
$16 < L \leq 63$		± 0.3		
$4 < L \leq 16$		± 0.2		
$L \leq 4$		± 0.15		

DCI DRAGON CITY INDUSTRIES LIMITED

Item Name	DC JACK	Tolerance :
Item No.	DS-092(LX)	Unit : mm

Design	K.W Law	Remark	Scale
Drawing	W.K Yeung	Remark	Material
Check	K.L Wong	Remark	Drawing No. A410101115
Approval	K.W Chan	Remark	Sheet